

12VHR400W 12V400W

General Application

12VHR400W is custom designed specifically for the UPS applications. It offers much improved power density of up to 30% more watts per kilogram than our conventional VC Series.

Specification

- NOMINAL VOLTAGE : 12 V
- NOMINAL CAPACITY(20 hr):400W/Cell @15 Minutes rate to 1.6V@25°C(77°F)
- DIMENSIONS
 - TOTAL HEIGHT : 221 mm (8.70 inches)
 - CONTAINER HEIGHT : 217 mm (8.43 inches)
 - LENGTH : 329 mm (12.95 inches)
 - WIDTH : 172 mm (6.77 inches)
- WEIGHT : APPROX 34.00Kg (74.97 lbs)
- CONTAINER MATERIAL : UL94HB ABS
- : UL94V-0 ABS
- INTERNAL RESISTANCE(25°C , 77 °F) : ~6.5 mΩ
- DISCHARGE CAPACITY UNDER DIFFERENT TEMPERATURES
 - 40°C : ~102%
 - 25°C : ~100%
 - 0 °C : ~85%

Characteristics

- CHARGING VOLTAGE (25°C , 77 °F)
 - STANDBY USE : 13.65V± 0.15 V
 - CYCLE USE : 14.7V±0.3 V
- MAX DISCHARGE CURRENT : 600 A (5 sec)
- MAX CHARGING CURRENT : 30 A
- SELF-DISCHARGE RESIDUAL CAPACITY(25°C , 77 °F)
 - AFTER 3 MONTHS : ~90%
 - AFTER 6 MONTHS : ~82%
 - AFTER 12 MONTHS : ~70%

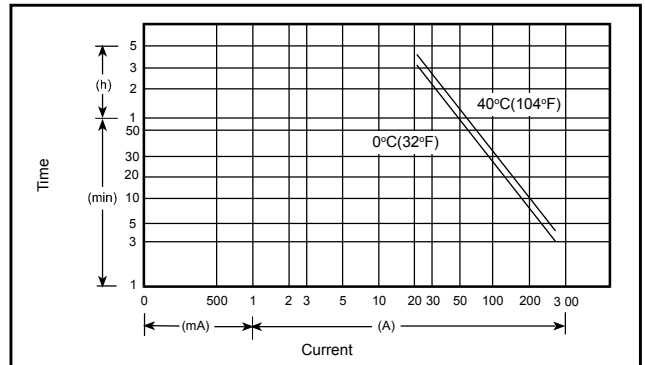
Constant power discharge `Watts` (25°C , 77°F)

Time Cutoff	5M	10M	15M	30M	60M	120M	180M
1.6V	856.5	544.0	405.7	239.4	134.1	74.5	51.9
1.7V	794.0	517.4	389.7	232.8	131.5	73.2	51.1
1.8V	698.3	466.8	352.5	216.1	125.8	70.5	49.5

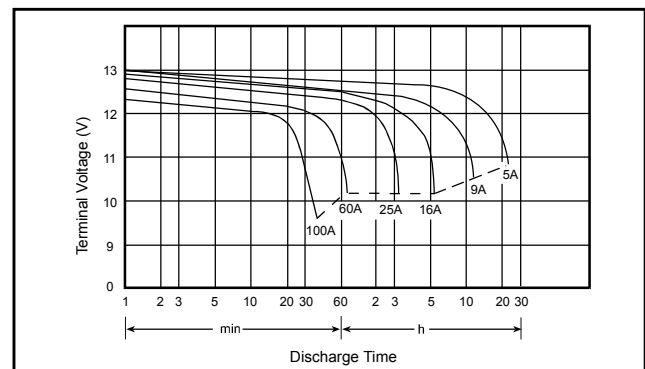
Constant current discharge `Amperes` (25°C , 77°F)

Time Cutoff	5M	10M	15M	30M	60M	120M	180M
1.6V	470.8	283.3	207.5	119.2	67.2	37.2	25.9
1.7V	425.6	270.0	200.8	117.0	66.1	34.2	25.5
1.8V	375.1	243.4	183.5	109.1	62.2	35.2	24.6

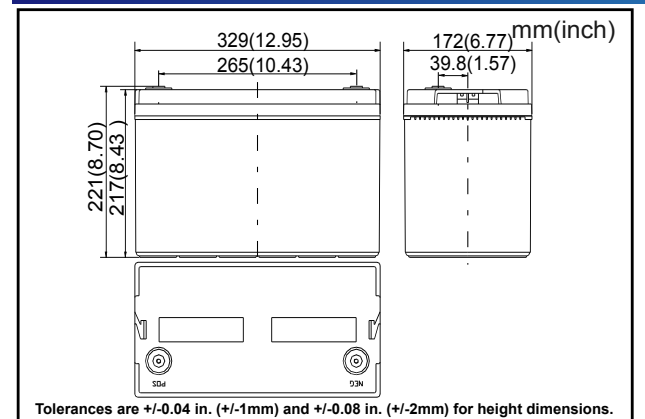
Discharge Current vs Time



Discharge Characteristics @25 °C (77 °F)



Dimensions



Terminal

