



Sealed Lead Acid Rechargeable Battery

# 12VHR200W 12V200W

## General Application

12VHR200W is custom designed specifically for the UPS applications. It offers much improved power density of up to 30% more watts per kilogram than our conventional VC Series.

## Specification

● NOMINAL VOLTAGE	: 12 V
● NOMINAL CAPACITY(20 hr):200W/Cell @15 Minutes rate to 1.6V@25°C(77 °F)	
● DIMENSIONS	
TOTAL HEIGHT	: 225 mm ( 8.86 inches )
CONTAINER HEIGHT	: 207 mm ( 8.15 inches )
LENGTH	: 229 mm ( 9.02 inches )
WIDTH	: 138 mm ( 5.43 inches )
● WEIGHT	: APPROX 18.5 Kg ( 40.79 lbs )
● CONTAINER MATERIAL	: UL94HB ABS
	: UL94V-0 ABS
● INTERNAL RESISTANCE( 25°C , 77 °F )	: ~8mΩ
● DISCHARGE CAPACITY UNDER DIFFERENT TEMPERATURES	
40°C	: ~102%
25°C	: ~100%
0 °C	: ~85%

## Characteristics

● CHARGING VOLTAGE ( 25°C , 77 °F )	
STANDBY USE	: 13.65V ± 0.15 V
CYCLE USE	: 14.7V ± 0.3 V
● MAX DISCHARGE CURRENT	: 600 A ( 5 sec )
● MAX CHARGING CURRENT	: 16.5 A
● SELF-DISCHARGE RESIDUAL CAPACITY( 25°C , 77 °F )	
AFTER 3 MONTHS	: ~90%
AFTER 6 MONTHS	: ~82%
AFTER 12 MONTHS	: ~70%

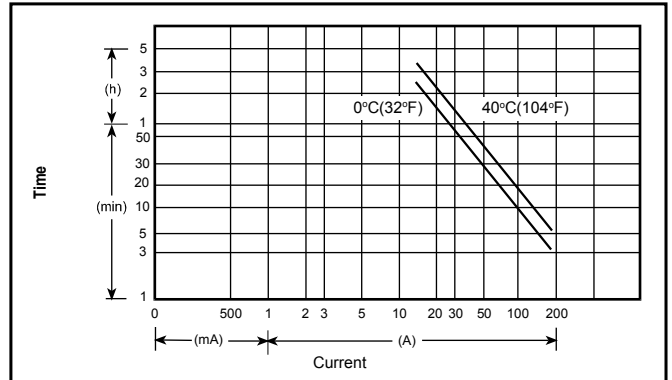
### Constant power discharge `Watts` (25°C ,77°F)

Time Cutoff	5M	10M	15M	30M	60M	120M	180M
1.6V	427.0	271.0	201.2	119.7	67.8	37.3	26.0
1.7V	396.0	258.0	195.7	116.8	66.4	36.6	25.5
1.8V	348.0	233.7	178.6	109.0	63.1	35.2	24.8

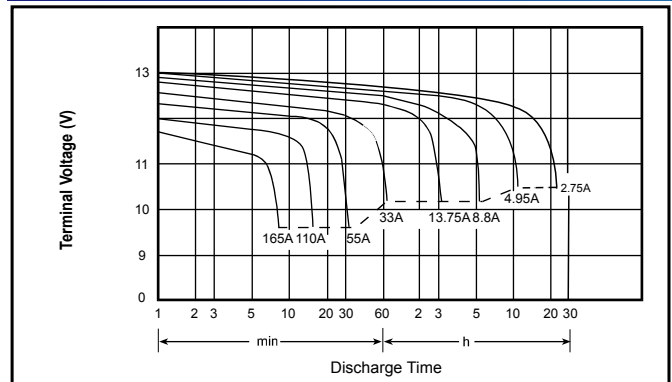
### Constant current discharge `Amperes` (25°C ,77°F)

Time Cutoff	5M	10M	15M	30M	60M	120M	180M
1.6V	229.0	141.0	105.0	61.1	34.1	18.6	13.0
1.7V	212.0	135.0	101.5	59.6	33.4	18.3	12.7
1.8V	187.0	121.6	93.1	55.6	31.8	17.6	12.3

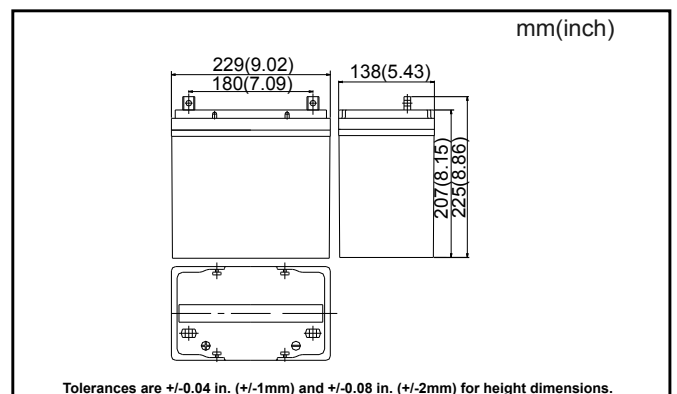
## Discharge Current vs Time



## Discharge Characteristics @25 °C ( 77 °F )



## Dimensions



## Terminal

