



Sealed Lead Acid Rechargeable Battery

12VHR150 12V150W

General Application

12VHR150W is custom designed specifically for the UPS applications. It offers much improved power density of up to 30% more watts per kilogram than our conventional VC Series.

Specification

● NOMINAL VOLTAGE	: 12 V
● NOMINAL CAPACITY(20 hr)	: 150W/Cell @15 Minutes rate to 1.6V@25°C(77°F)
● DIMENSIONS	
TOTAL HEIGHT	: 178 mm (7.01 inches)
CONTAINER HEIGHT	: 158 mm (6.22 inches)
LENGTH	: 198 mm (7.80 inches)
WIDTH	: 130 mm (5.12 inches)
● WEIGHT	: APPROX 12.5 Kg (27.56 lbs)
● CONTAINER MATERIAL	: UL94HB ABS
	: UL94V-0 ABS
● INTERNAL RESISTANCE(25°C , 77 °F)	: ~8mΩ
● DISCHARGE CAPACITY UNDER DIFFERENT TEMPERATURES	
40°C	: ~102%
25°C	: ~100%
0 °C	: ~85%

Characteristics

● CHARGING VOLTAGE (25°C , 77 °F)	
STANDBY USE	: 13.65V ±0.15 V
CYCLE USE	: 14.7V ± 0.3V
● MAX DISCHARGE CURRENT	: 300A (5 sec)
● MAX CHARGING CURRENT	: 10.5 A
● SELF-DISCHARGE RESIDUAL CAPACITY(25°C , 77 °F)	
AFTER 3 MONTHS	: 90%
AFTER 6 MONTHS	: 82%
AFTER 12 MONTHS	: 70%

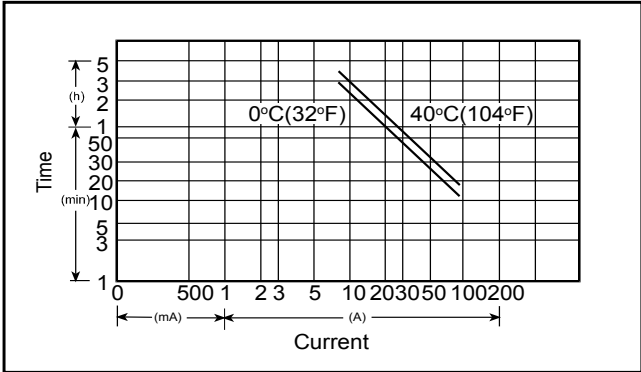
Constant power discharge `Watts` (25°C , 77°F)

Time Cutoff	5M	10M	15M	30M	60M	120M	180M
1.6V	318.0	201.5	150.8	89.6	50.5	28.0	19.5
1.7V	295.0	191.2	145.9	86.8	49.6	27.2	19.2
1.8V	259.0	172.0	132.4	80.4	47.2	26.5	18.6

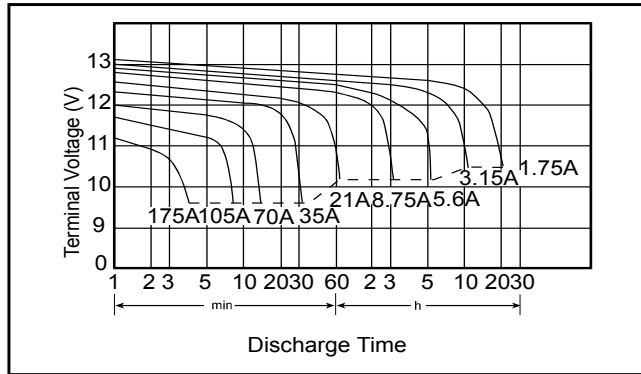
Constant current discharge `Amperes` (25°C , 77°F)

Time Cutoff	5M	10M	15M	30M	60M	120M	180M
1.6V	169.0	102.8	78.4	44.8	25.2	14.0	9.8
1.7V	155.0	98.0	75.6	43.9	24.9	13.7	9.6
1.8V	138.0	89.0	68.9	40.8	23.7	13.2	9.3

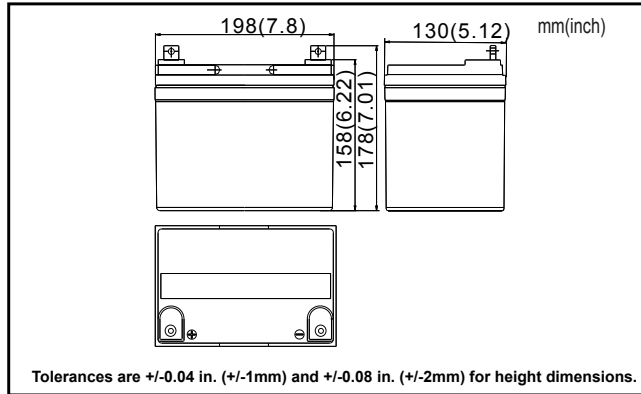
Discharge Current vs Time



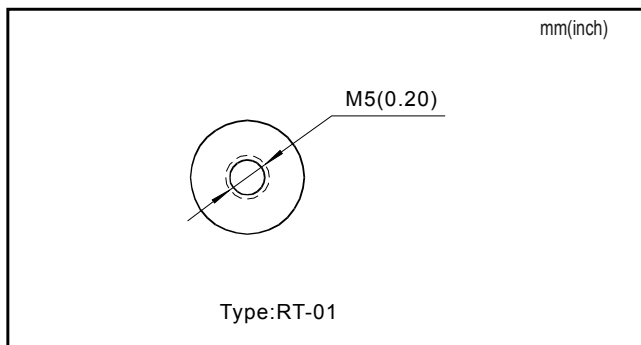
Discharge Characteristics @25 °C (77 °F)



Dimensions



Terminal



*Specifications subject to change without notification.