



Sealed Lead Acid Rechargeable Battery

Wuhan V-cell Energy Technology Co., Ltd.

**12VCL7**

**12V7.2Ah**

**General Application**

12VCL7.2 is a long life battery used with German technology and more than 10 years design float life.

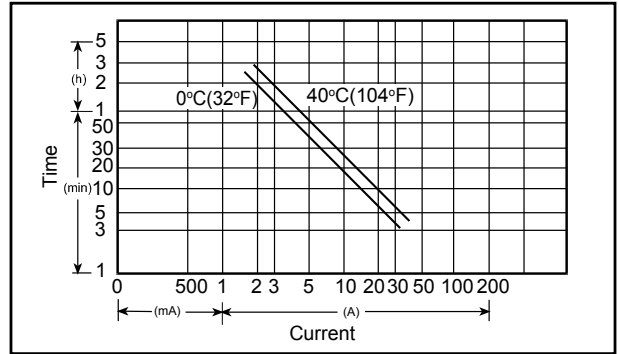
**Specification**

NOMINAL VOLTAGE	: 12 V
NOMINAL CAPACITY(20 hr)	: 7.2 Ah
<b>DIMENSIONS</b>	
TOTAL HEIGHT	: 100 mm ( 3.94 inches )
CONTAINER HEIGHT	: 94 mm ( 3.70 inches )
LENGTH	: 151 mm ( 5.94 inches )
WIDTH	: 65 mm ( 2.56 inches )
WEIGHT	: APPROX 2.68 Kg ( 5.91 lbs )
CONTAINER MATERIAL	: UL94HB ABS
	: UL94V-0 ABS
INTERNAL RESISTANCE( 25°C , 77 °F )	: ~20mΩ
<b>DISCHARGE CAPACITY UNDER DIFFERENT TEMPERATURES</b>	
40°C	: ~102%
25°C	: ~100%
0 °C	: ~85%

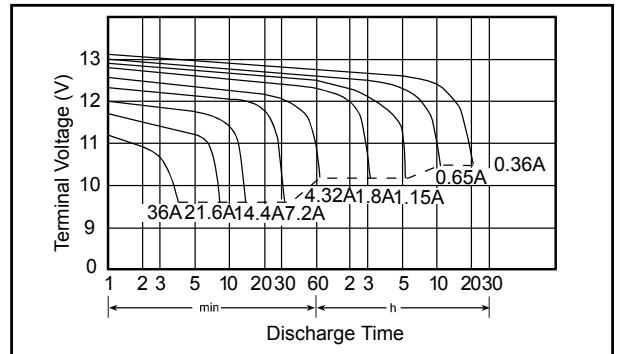
**Characteristics**

<b>CAPACITY 25 °C / 77 °F</b>	
20 hr @ 0.36 A	: 7.20 Ah
5 hr @ 1.15 A	: 5.76 Ah
1 hr @ 4.32 A	: 4.32 Ah
1 C @ 7.2 A	: 3.60 Ah
<b>CHARGING VOLTAGE ( 25°C , 77 °F )</b>	
STANDBY USE	: 13.65V ±0.15 V
CYCLE USE	: 14.7 V ±0.3V
<b>MAX DISCHARGE CURRENT</b>	: 90 A ( 5 sec )
<b>MAX CHARGING CURRENT</b>	: 2.16 A
<b>SELF-DISCHARGE RESIDUAL CAPACITY</b>	
AFTER 3 MONTHS	: ~90%
AFTER 6 MONTHS	: ~82%
AFTER 12 MONTHS	: ~70%

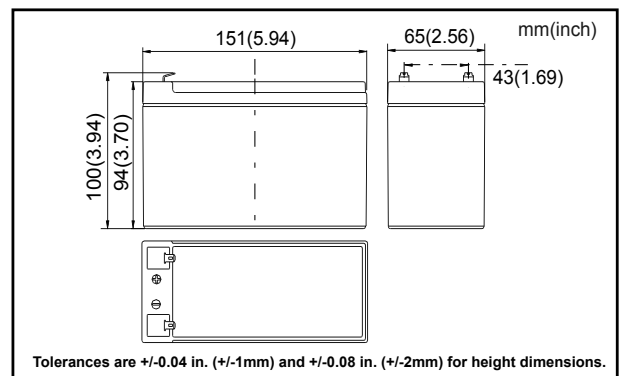
**Discharge Current vs Time**



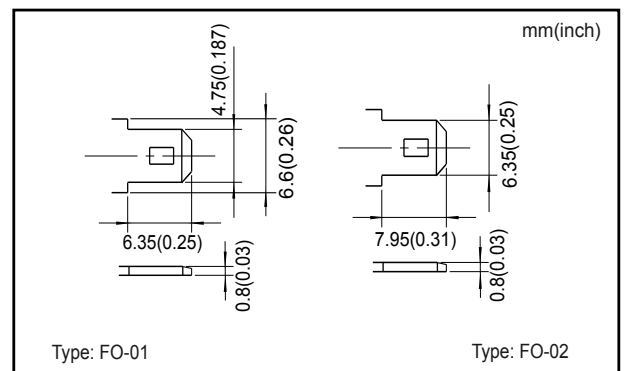
**Discharge Characteristics @25 °C ( 77 °F )**



**Dimensions**



**Terminal**



\*Specifications subject to change without notification.