

12VCL200 12V200.0Ah

General Application

12VCL200 is a long life battery used with German technology and more than 10 years design float life.

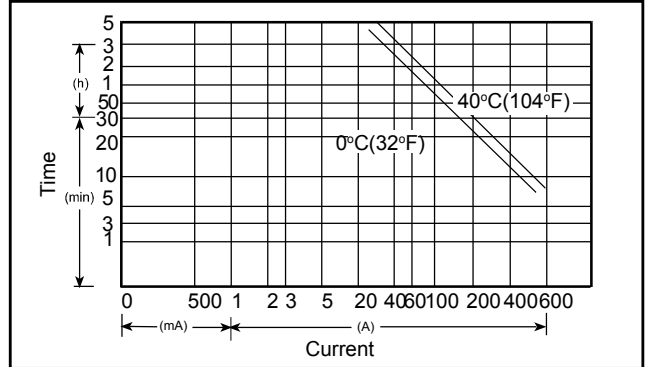
Specification

• NOMINAL VOLTAGE	: 12 V
• NOMINAL CAPACITY(20 hr)	: 200.0 Ah
• DIMENSIONS	
TOTAL HEIGHT	: 240 mm (9.45 inches)
CONTAINER HEIGHT	: 210 mm (8.27 inches)
LENGTH	: 520mm (20.47 inches)
WIDTH	: 260 mm (10.24 inches)
• WEIGHT	: APPROX 70.0Kg (154.32lbs)
• CONTAINER MATERIAL	: UL94HB ABS
	: UL94V-0 ABS
• INTERNAL RESISTANCE(25°C , 77 °F)	: ~3.0 m Ω
• DISCHARGE CAPACITY UNDER DIFFERENT TEMPERATURES	
40°C	: ~102%
25°C	: ~100%
0 °C	: ~85%

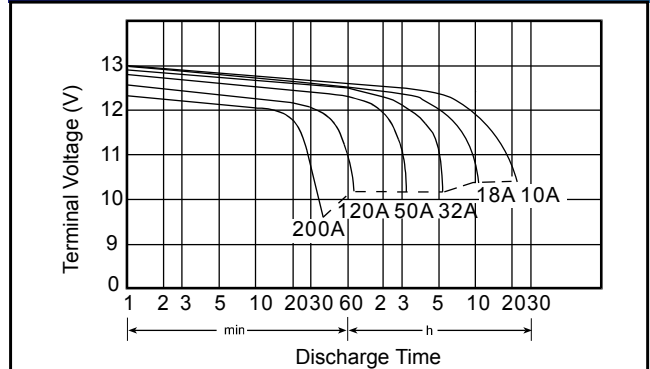
Characteristics

• CAPACITY 25 °C / 77 °F	
20 hr @ 10 A	: 200.0 Ah
5 hr @ 32 A	: 160.0 Ah
1 hr @ 120 A	: 120.0 Ah
1 C @ 200 A	: 100.0 Ah
• CHARGING VOLTAGE (25°C , 77 °F)	
STANDBY USE	: 13.65V \pm 0.15 V
CYCLE USE	: 14.7 V \pm 0.3V
• MAX DISCHARGE CURRENT	: 600 A (5 sec)
• MAX CHARGING CURRENT	: 60A
• SELF-DISCHARGE RESIDUAL CAPACITY	
AFTER 3 MONTHS	: ~90%
AFTER 6 MONTHS	: ~82%
AFTER 12 MONTHS	: ~70%

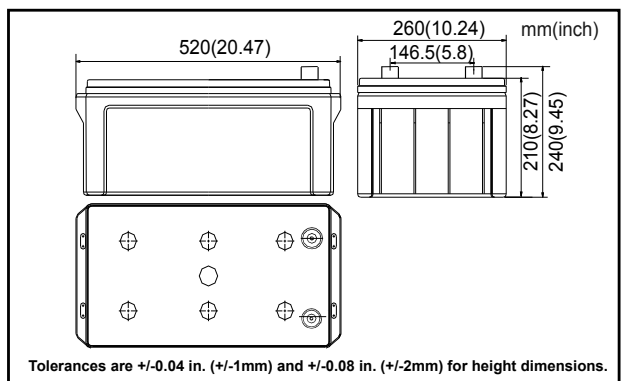
Discharge Current vs Time



Discharge Characteristics @25 °C (77 °F)



Dimensions



Terminal

