



Sealed Lead Acid Rechargeable Battery

Wuhan V-cell Energy Technology Co., Ltd.

6VC8.5 6V8.5Ah

General Application

6VC8.5 is a general purpose battery with 3~5 years in standby service or more than 400 cycles at 50% depth of discharge in cycle service.

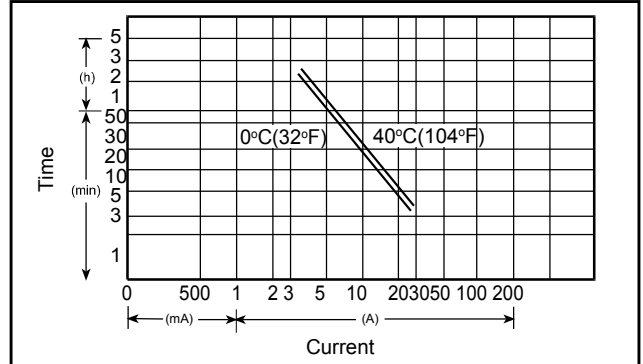
Specification

NOMINAL VOLTAGE	: 6 V
NOMINAL CAPACITY(20 hrs)	: 8.5 Ah
DIMENSIONS	
TOTAL HEIGHT	: 118 mm (4.65 inches)
CONTAINER HEIGHT	: 118 mm (4.65 inches)
LENGTH	: 98 mm (3.86 inches)
WIDTH	: 56 mm (2.21 inches)
WEIGHT	: APPROX 1.60 Kg (3.52 lbs)
INTERNAL RESISTANCE(25°C , 77 °F)	: ~18mΩ
CONTAINER MATERIAL	: GENERAL GRADE ABS
DISCHARGE CAPACITY UNDER DIFFERENT TEMPERATURES	
40°C	: 102%
25°C	: 100%
0 °C	: 85%

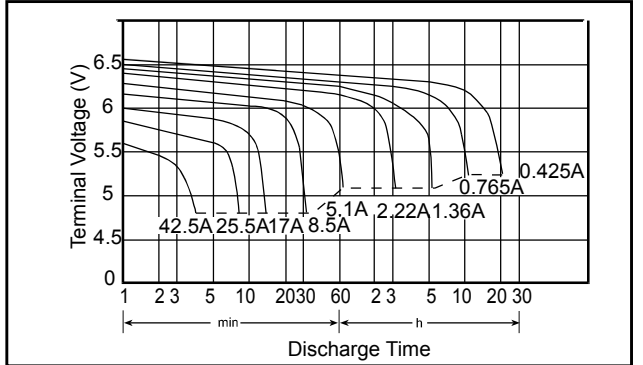
Characteristics

CAPACITY 25 °C / 77 °F	
20 hr @ 0.425 A	: 8.5 Ah
5 hr @ 1.36 A	: 6.8 Ah
1 hr @ 5.1 A	: 5.1 Ah
1 C @ 8.5 A	: 4.25 Ah
CHARGING VOLTAGE (25°C , 77 °F)	
STANDBY USE	: 6.825V±0.075 V
CYCLE USE	: 7.35V±0.15 V
MAX CHARGING CURRENT	: 2.55 A
MAX DISCHARGE CURRENT	: 90 A (5 sec)
SELF-DISCHARGE RESIDUAL CAPACITY(25°C , 77 °F)	
AFTER 3 MONTHS	: 90%
AFTER 6 MONTHS	: 82%
AFTER 12 MONTHS	: 70%

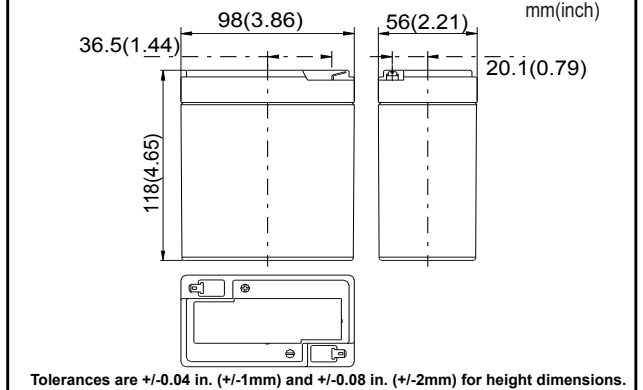
Discharge Current vs Time



Discharge Characteristics @25 °C (77 °F)



Dimensions



Terminal

