



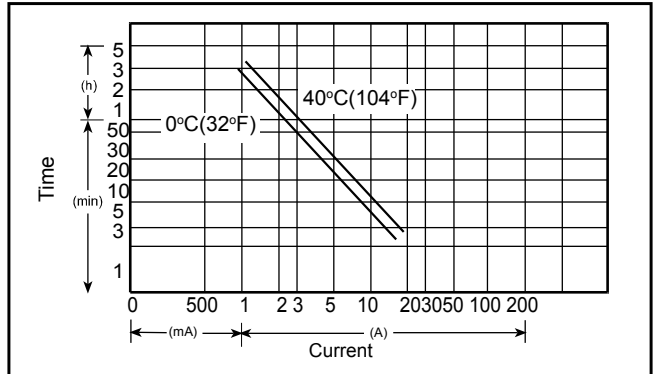
Sealed Lead Acid Rechargeable Battery

6VC4.5 6V4.5Ah

General Application

6VC4.5 is a general purpose battery with 3~5 years in standby service or more than 400 cycles at 50% depth of discharge in cycle service.

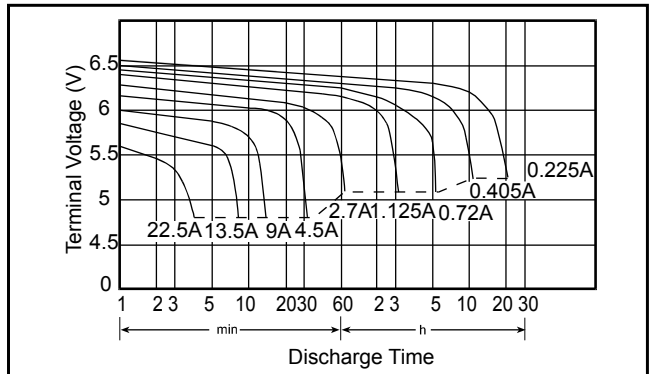
Discharge Current vs Time



Specification

● NOMINAL VOLTAGE	: 6 V
● NOMINAL CAPACITY(20 hrs)	: 4.5 Ah
● DIMENSIONS	
TOTAL HEIGHT	: 107 mm (4.21 inches)
CONTAINER HEIGHT	: 101 mm (3.98 inches)
LENGTH	: 70 mm (2.76 inches)
WIDTH	: 47 mm (1.85 inches)
● WEIGHT	: APPROX 0.80 Kg (1.76 lbs)
● CONTAINER MATERIAL	: UL94HB ABS
	: UL94V-0 ABS
● INTERNAL RESISTANCE(25°C , 77 °F)	: ~18mΩ
● DISCHARGE CAPACITY UNDER DIFFERENT TEMPERATURES	
40°C	: ~102%
25°C	: ~100%
0 °C	: ~85%

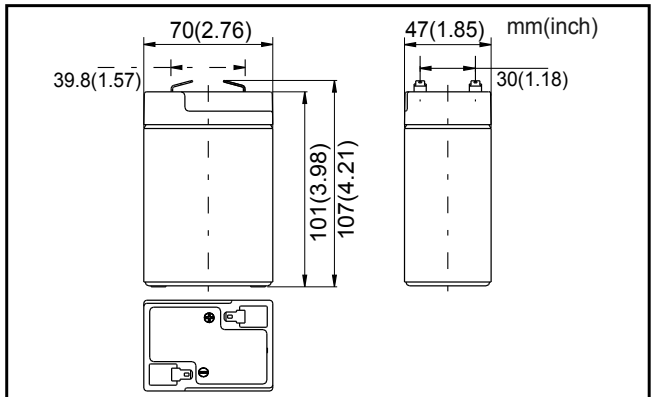
Discharge Characteristics @25 °C (77 °F)



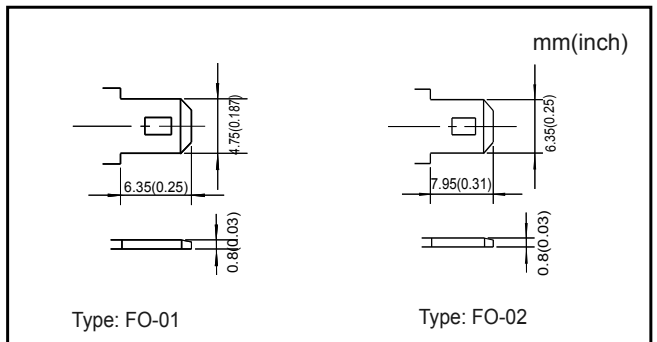
Characteristics

● CAPACITY 25 °C / 77 °F	
20 hr @ 0.225 A	: 4.5 Ah
5 hr @ 0.72A	: 3.6 Ah
1 hr @ 2.7 A	: 2.7 Ah
1 C @ 4.5 A	: 2.25 Ah
● CHARGING VOLTAGE (25°C , 77 °F)	
STANDBY USE	: 6.825V ± 0.075 V
CYCLE USE	: 7.35V ± 0.15 V
● MAX DISCHARGE CURRENT	: 60A (5 sec)
● MAX CHARGING CURRENT	: 1.35 A
● SELF-DISCHARGE RESIDUAL CAPACITY(25°C , 77 °F)	
AFTER 3 MONTHS	: ~90%
AFTER 6 MONTHS	: ~82%
AFTER 12 MONTHS	: ~70%

Dimensions



Terminal



*Specifications subject to change without notification.