



Sealed Lead Acid Rechargeable Battery

Wuhan V-cell Energy Technology Co., Ltd.

# 6VC3.5 6V3.5Ah

## General Application

6VC3.5 is a general purpose battery with 3~5 years in standby service or more than 400 cycles at 50% depth of discharge in cycle service.

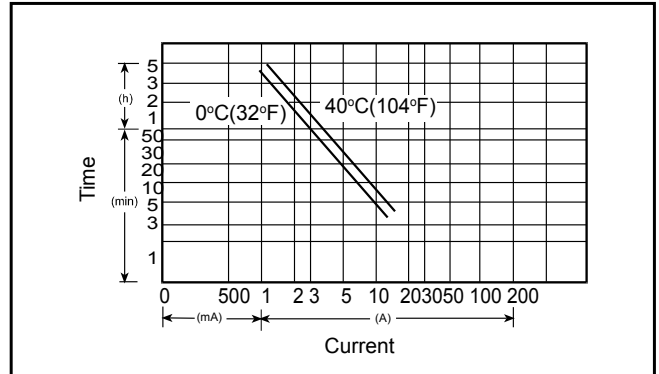
## Specification

NOMINAL VOLTAGE	: 6 V
NOMINAL CAPACITY(20 hr)	: 3.5 Ah
DIMENSIONS	
TOTAL HEIGHT	: 57.5 mm ( 2.26 inches )
CONTAINER HEIGHT	: 50.5 mm ( 1.99 inches )
LENGTH	: 195 mm ( 7.68 inches )
WIDTH	: 24.5 mm ( 0.96 inches )
WEIGHT	: APPROX 0.66 Kg ( 1.46 lbs )
CONTAINER MATERIAL	: UL94HB ABS
	: UL94V-0 ABS
INTERNAL RESISTANCE( 25°C , 77 °F )	: ~16 mΩ
DISCHARGE CAPACITY UNDER DIFFERENT TEMPERATURES	
40°C	: ~102%
25°C	: ~100%
0 °C	: ~85%

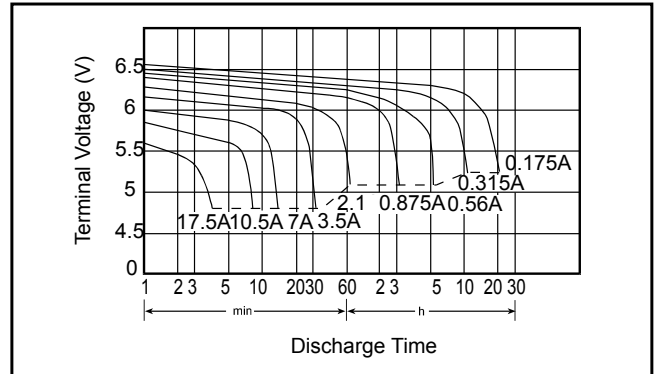
## Characteristics

CAPACITY 25 °C / 68 °F	
20 hr @ 0.175 A	: 3.5 Ah
5 hr @ 0.56 A	: 2.8 Ah
1 hr @ 2.1 A	: 2.1 Ah
1 C @ 3.5 A	: 1.75 Ah
CHARGING VOLTAGE ( 25°C , 77 °F )	
STANDBY USE	: 6.825V±0.075 V
CYCLE USE	: 7.35V±0.15 V
MAX DISCHARGE CURRENT : 40 A ( 5 sec )	
MAX CHARGING CURRENT : 1.05 A	
SELF-DISCHARGE RESIDUAL CAPACITY( 25°C , 77 °F )	
AFTER 3 MONTHS	: ~90%
AFTER 6 MONTHS	: ~82%
AFTER 12 MONTHS	: ~70%

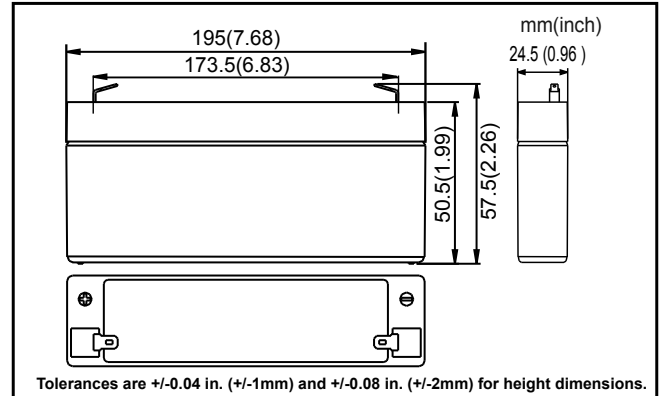
## Discharge Current vs Time



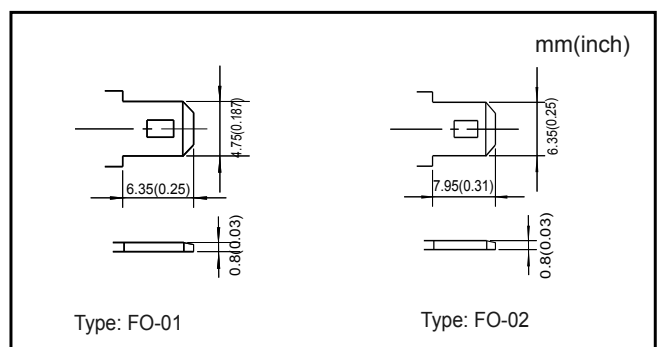
## Discharge Characteristics @25 °C ( 77 °F )



## Dimensions



## Terminal



\*Specifications subject to change without notification.