



Sealed Lead Acid Rechargeable Battery

Wuhan V-cell Energy Technology Co., Ltd.

6VC10

6V10.0Ah

General Application

6VC10 is a general purpose battery with 3~5 years in standby service or more than 400 cycles at 50% depth of discharge in cycle service.

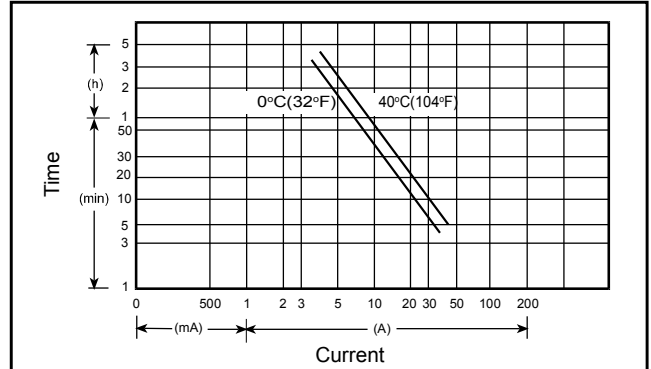
Specification

• NOMINAL VOLTAGE	: 6 V
• NOMINAL CAPACITY(20 hr)	: 10.0 Ah
• DIMENSIONS	
TOTAL HEIGHT	: 100 mm (3.94 inches)
CONTAINER HEIGHT	: 92.5 mm (3.64 inches)
LENGTH	: 151 mm (5.94 inches)
WIDTH	: 50 mm (1.97 inches)
• WEIGHT	: APPROX 1.84 Kg (4.06 lbs)
• CONTAINER MATERIAL	: UL94HB ABS
	: UL94V-0 ABS
• INTERNAL RESISTANCE(25°C , 77 °F)	: ~12 mΩ
• DISCHARGE CAPACITY UNDER DIFFERENT TEMPERATURES	
40°C	: ~102%
25°C	: ~100%
0 °C	: ~85%

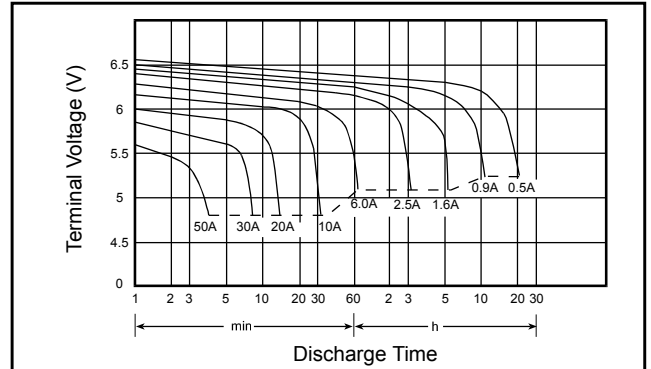
Characteristics

• CAPACITY 25 °C / 77 °F	
20 hr @ 0.5 A	: 10.0 Ah
5 hr @ 1.6 A	: 8.0 Ah
1 hr @ 6.0 A	: 6.0 Ah
1 C @ 10. A	: 5.0 Ah
• CHARGING VOLTAGE (25°C , 77 °F)	
STANDBY USE	: 6.825 V ± 0.075V
CYCLE USE	: 7.35V ± 0.15 V
• MAX DISCHARGE CURRENT	: 100 A (5 sec)
• MAX CHARGING CURRENT	: 3.0 A
• SELF-DISCHARGE RESIDUAL CAPACITY(25°C , 77 °F)	
AFTER 3 MONTHS	: ~90%
AFTER 6 MONTHS	: ~82%
AFTER 12 MONTHS	: ~70%

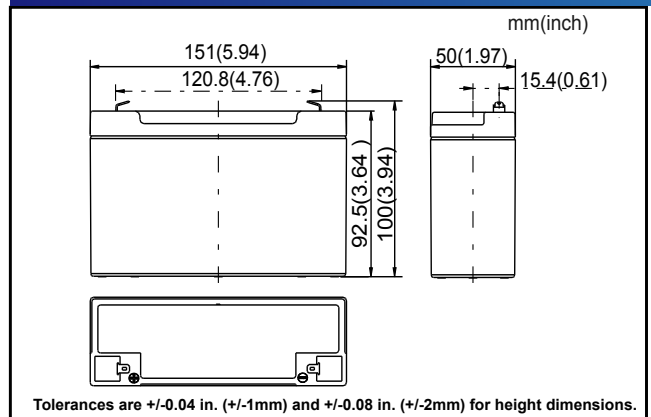
Discharge Current vs Time



Discharge Characteristics @25 °C (77 °F)



Dimensions



Terminal

