

6VC1.3 6V1.3Ah

General Application

6VC1.3 is a general purpose battery with 3~5 years in standby service or more than 400 cycles at 50% depth of discharge in cycle service.

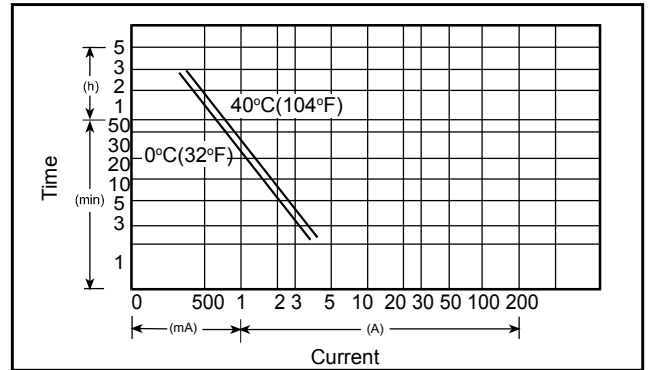
Specification

● NOMINAL VOLTAGE	: 6 V
● NOMINAL CAPACITY(20 hr)	: 1.3 Ah
● DIMENSIONS	
TOTAL HEIGHT	: 59 mm (2.32 inches)
CONTAINER HEIGHT	: 52 mm (2.05 inches)
LENGTH	: 97 mm (3.82 inches)
WIDTH	: 24 mm (0.94 inches)
● WEIGHT	: APPROX 0.33 Kg (0.73 lbs)
● CONTAINER MATERIAL	: UL94HB ABS
	: UL94V-0 ABS
● INTERNAL RESISTANCE(25°C , 77 °F)	: ~42.5mΩ
● DISCHARGE CAPACITY UNDER DIFFERENT TEMPERATURES	
40°C	: ~102%
25°C	: ~100%
0 °C	: ~85%

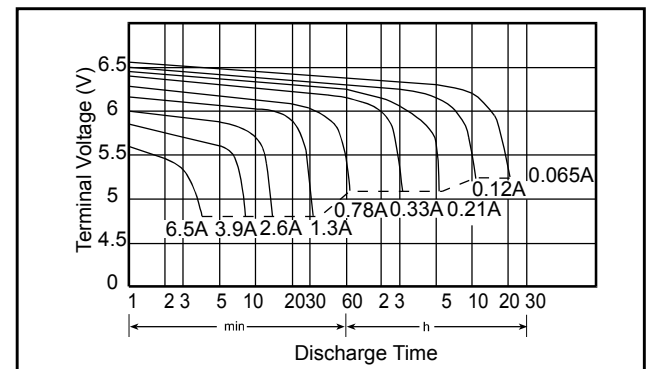
Characteristics

● CAPACITY 25 °C / 77 °F	
20 hr @ 0.065 A	: 1.3 Ah
5 hr @ 0.208 A	: 1.04 Ah
1 hr @ 0.78 A	: 0.78 Ah
1 C @ 1.3 A	: 0.65 Ah
● CHARGING VOLTAGE (25°C , 77 °F)	
STANDBY USE	: 6.825V±0.075 V
CYCLE USE	: 7.35V±0.15 V
● MAX DISCHARGE CURRENT	: 20 A (5 sec)
● MAX CHARGING CURRENT	: 0.39 A
● SELF-DISCHARGE RESIDUAL CAPACITY(25°C , 77 °F)	
AFTER 3 MONTHS	: ~90%
AFTER 6 MONTHS	: ~82%
AFTER 12 MONTHS	: ~70%

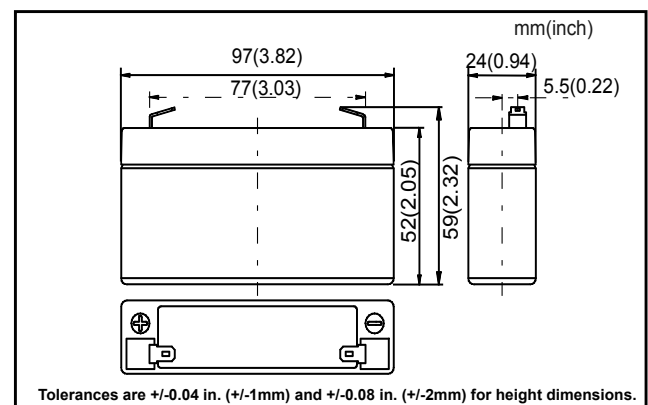
Discharge Current vs Time



Discharge Characteristics @25 °C (77 °F)



Dimensions



Terminal

