



Sealed Lead Acid Rechargeable Battery

Wuhan V-cell Energy Technology Co., Ltd.

**12VC90** 12V90.0Ah

### General Application

12VC90 is a high performance battery with 4~6 years in standby service or more than 500 cycles at 50% depth of discharge in cycle service.

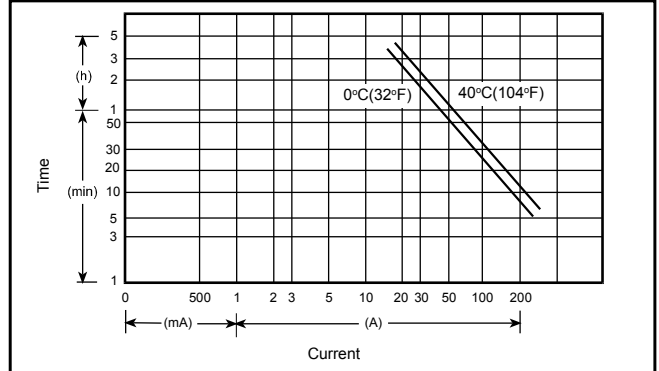
### Specification

●NOMINAL VOLTAGE	: 12 V
●NOMINAL CAPACITY(20 hr)	: 90.0 Ah
●DIMENSIONS	
TOTAL HEIGHT	: 229.5 mm ( 9.04 inches )
CONTAINER HEIGHT	: 207.5 mm ( 8.17 inches )
LENGTH	: 305 mm ( 12.01 inches )
WIDTH	: 168 mm ( 6.61 inches )
●WEIGHT	: APPROX 31 Kg ( 68.36lbs )
●CONTAINER MATERIAL	: UL94HB ABS
	: UL94V-0 ABS
●INTERNAL RESISTANCE( 25°C , 77 °F )	: ~6.0mΩ
●DISCHARGE CAPACITY UNDER DIFFERENT TEMPERATURES	
40°C	: ~102%
25°C	: ~100%
0 °C	: ~ 85%

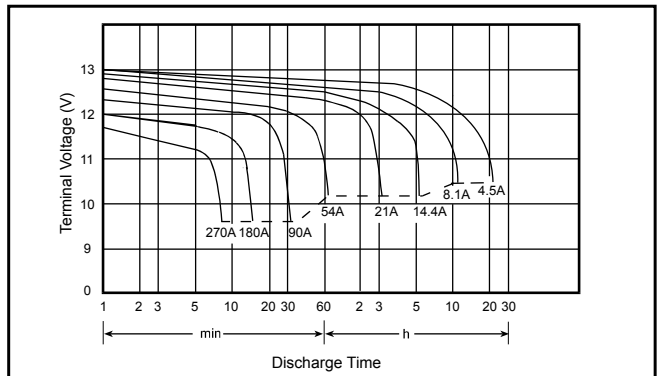
### Characteristics

● CAPACITY 25 °C / 77 °F	
20 hr @ 4.5 A	: 90.0 Ah
5 hr @ 14.4 A	: 72.0 Ah
1 hr @ 54.0 A	: 54.0 Ah
1 C @90.0 A	: 45.0 Ah
● CHARGING VOLTAGE ( 25°C , 77 °F )	
STANDBY USE	: 13.65V, ±0.15 V
● CYCLE USE	: 14.7V, ±0.3 V
● MAX DISCHARGE CURRENT : 600 A ( 5 sec )	
● MAX CHARGING CURRENT : 27 A	
SELF-DISCHARGE RESIDUAL CAPACITY( 25°C , 77 °F )	
AFTER 3 MONTHS	: ~90%
AFTER 6 MONTHS	: ~82%
AFTER 12 MONTHS	: ~70%

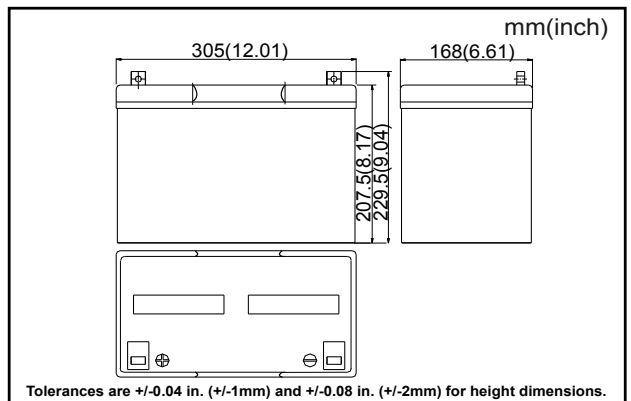
### Discharge Current vs Time



### Discharge Characteristics @25 °C ( 77 °F )



### Dimensions



### Terminal

