



Sealed Lead Acid Rechargeable Battery

Wuhan V-cell Energy Technology Co., Ltd.

12VC70 12V70.0Ah

General Application

12VC70 is a high performance battery with 4~6 years in standby service or more than 500 cycles at 50% depth of discharge in cycle service.

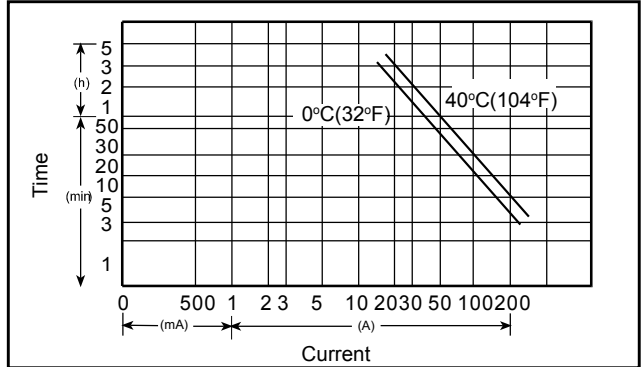
Specification

• NOMINAL VOLTAGE	: 12 V
• NOMINAL CAPACITY(20 hr)	: 70.0 Ah
• DIMENSIONS	
TOTAL HEIGHT	: 174 mm (6.85 inches)
CONTAINER HEIGHT	: 174 mm (6.85 inches)
LENGTH	: 350 mm (13.78 inches)
WIDTH	: 166 mm (6.54 inches)
• WEIGHT	: APPROX 22.50 Kg (49.61 lbs)
• CONTAINER MATERIAL	: UL94HB ABS
	: UL94V-0 ABS
• INTERNAL RESISTANCE(25°C , 77 °F)	: ~7mΩ
• DISCHARGE CAPACITY UNDER DIFFERENT TEMPERATURES	
40°C	: ~102%
25°C	: ~100%
0 °C	: ~85%

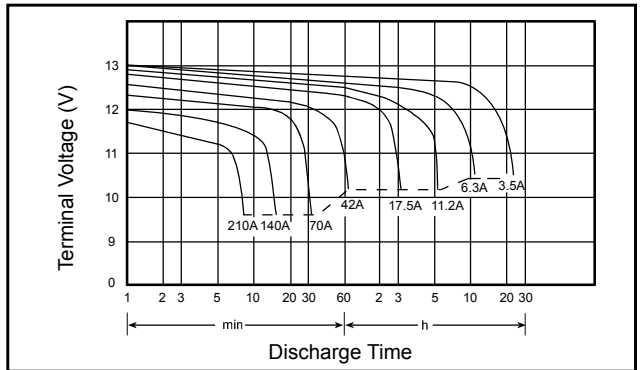
Characteristics

• CAPACITY 25 °C / 77 °F	
20 hr @ 3.5 A	: 70.0 Ah
5 hr @ 11.2 A	: 56 .0Ah
1 hr @ 42 A	: 42 .0Ah
1 C @ 70 A	: 35.0 Ah
• CHARGING VOLTAGE (25°C , 77 °F)	
STANDBY USE	: 13.65V ± 0.15 V
CYCLE USE	: 14.7V ± 0.3 V
• MAX DISCHARGE CURRENT	: 600 A (5 sec)
• MAX CHARGING CURRENT	: 21 A
• SELF-DISCHARGE RESIDUAL CAPACITY(25°C , 77 °F)	
AFTER 3 MONTHS	: ~90%
AFTER 6 MONTHS	: ~82%
AFTER 12 MONTHS	: ~70%

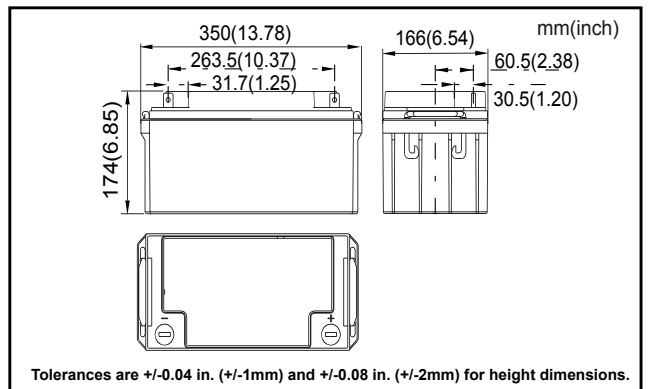
Discharge Current vs Time



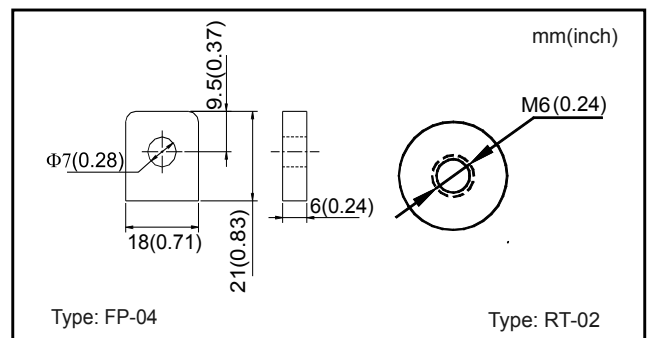
Discharge Characteristics @25 °C (77 °F)



Dimensions



Terminal



*Specifications subject to change without notification.