

12V7.2 12V7.2Ah

General Application

12V7.2 is a general purpose battery with 3~5 years in standby service or more than 400 cycles at 50% depth of discharge in cycle service.

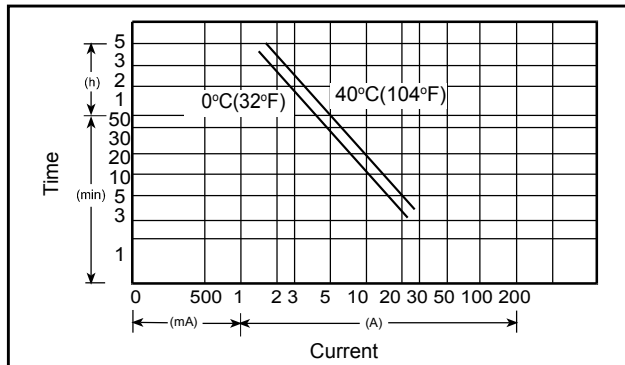
Specification

| | |
|---|-------------------------------|
| • NOMINAL VOLTAGE | : 12 V |
| • NOMINAL CAPACITY(20 hr) | : 7.2 Ah |
| • DIMENSIONS | |
| TOTAL HEIGHT | : 100 mm (3.94 inches) |
| CONTAINER HEIGHT | : 94 mm (3.70 inches) |
| LENGTH | : 151 mm (5.94 inches) |
| WIDTH | : 65 mm (2.56 inches) |
| • WEIGHT | : APPROX 2.35 Kg (5.18 lbs) |
| • CONTAINER MATERIAL | : UL94HB ABS |
| | : UL94V-0 ABS |
| • INTERNAL RESISTANCE(25°C , 77 °F) | : ~22mΩ |
| • DISCHARGE CAPACITY UNDER DIFFERENT TEMPERATURES | |
| 40°C | : ~102% |
| 25°C | : ~100% |
| 0 °C | : ~85% |

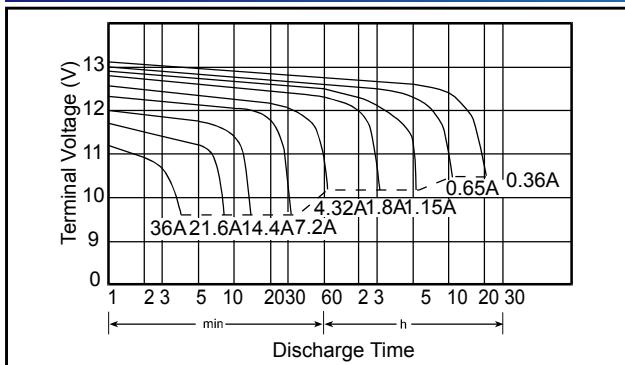
Characteristics

| | |
|--|------------------|
| • CAPACITY 25 °C / 77 °F | |
| 20 hr @ 0.36 A | : 7.2 Ah |
| 5 hr @ 1.15A | : 5.76 Ah |
| 1 hr @ 4.32 A | : 4.32 Ah |
| 1 C @ 7.2 A | : 3.6 Ah |
| • CHARGING VOLTAGE (25°C , 77 °F) | |
| STANDBY USE | : 13.65V±0.15 V |
| CYCLE USE | : 14.7V ± 0.3 V |
| • MAX DISCHARGE CURRENT | : 90 A (5 sec) |
| • MAX CHARGING CURRENT | : 2.16 A |
| • SELF-DISCHARGE RESIDUAL CAPACITY(25°C , 77 °F) | |
| AFTER 3 MONTHS | : ~90% |
| AFTER 6 MONTHS | : ~82% |
| AFTER 12 MONTHS | : ~70% |

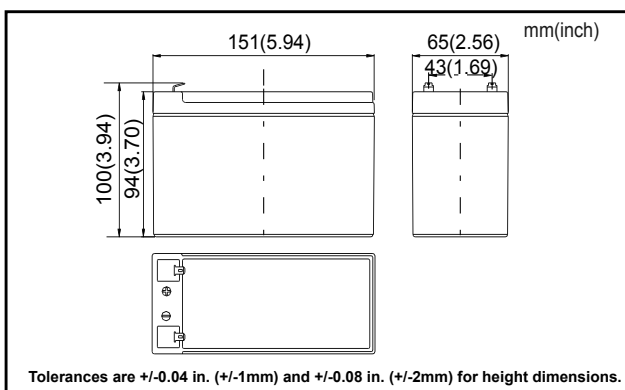
Discharge Current vs Time



Discharge Characteristics @25 °C (77 °F)



Dimensions



Terminal

