



Sealed Lead Acid Rechargeable Battery

Wuhan V-cell Energy Technology Co., Ltd.

# 12VC7.0 12V7.0Ah

## General Application

12VC7.0 is a general purpose battery with 3~5 years in standby service or more than 400 cycles at 50% depth of discharge in cycle service.

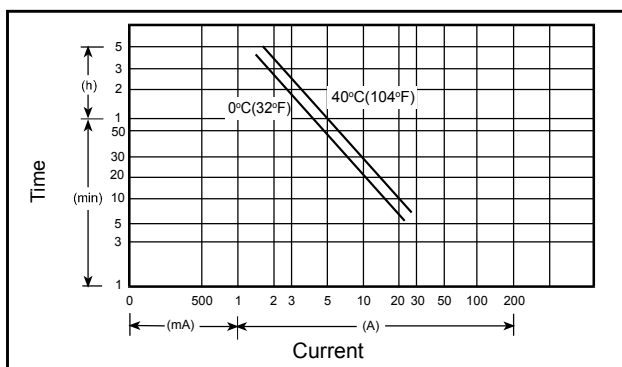
## Specification

• NOMINAL VOLTAGE	: 12 V
• NOMINAL CAPACITY(20 hr)	: 7.0 Ah
• DIMENSIONS	
TOTAL HEIGHT	: 100 mm ( 3.94 inches )
CONTAINER HEIGHT	: 94 mm ( 3.70 inches )
LENGTH	: 151 mm ( 5.94 inches )
WIDTH	: 65 mm ( 2.56 inches )
• WEIGHT	: APPROX 2.25 Kg ( 4.96 lbs )
• CONTAINER MATERIAL	: UL94HB ABS
	: UL94V-0 ABS
• INTERNAL RESISTANCE( 25°C , 77 °F )	: ~22mΩ
• DISCHARGE CAPACITY UNDER DIFFERENT TEMPERATURES	
40°C	: ~102%
25°C	: ~100%
0 °C	: ~85%

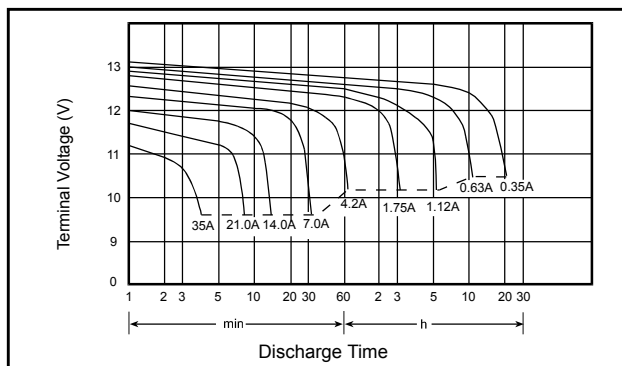
## Characteristics

• CAPACITY 25 °C / 77 °F	
20 hr @ 0.35 A	: 7.0 Ah
5 hr @ 1.12A	: 5.6 Ah
1 hr @ 4.2 A	: 4.2 Ah
1 C @ 7.0 A	: 3.5 Ah
• CHARGING VOLTAGE ( 25°C , 77 °F )	
STANDBY USE	: 13.65V±0.15 V
CYCLE USE	: 14.7V ±0.3 V
• MAX DISCHARGE CURRENT	: 90 A ( 5 sec )
• MAX CHARGING CURRENT	: 2.10 A
• SELF-DISCHARGE RESIDUAL CAPACITY( 25°C , 77 °F )	
AFTER 3 MONTHS	: ~90%
AFTER 6 MONTHS	: ~82%
AFTER 12 MONTHS	: ~70%

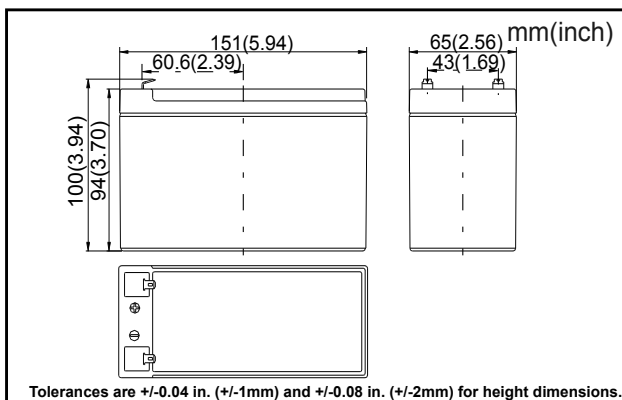
## Discharge Current vs Time



## Discharge Characteristics @25 °C ( 77 °F)



## Dimensions



## Terminal

