

# 12VC5.0 12V5.0Ah

## General Application

12VC5.0 is a general purpose battery with 3~5 years in standby service or more than 400 cycles at 50% depth of discharge in cycle service

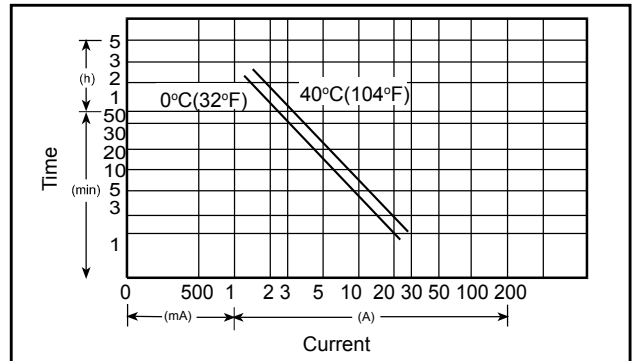
## Specification

NOMINAL VOLTAGE	: 12 V
NOMINAL CAPACITY(20 hr)	: 5.0 Ah
DIMENSIONS	
TOTAL HEIGHT	: 107 mm ( 4.21 inches )
CONTAINER HEIGHT	: 101 mm ( 3.98 inches )
LENGTH	: 90 mm ( 3.54 inches )
WIDTH	: 70 mm ( 2.76 inches )
WEIGHT	: APPROX 1.72 Kg ( 3.79 lbs )
CONTAINER MATERIAL	: UL94HB ABS
	: UL94V-0 ABS
INTERNAL RESISTANCE( 25°C , 77 °F )	: ~32mΩ
DISCHARGE CAPACITY UNDER DIFFERENT TEMPERATURES	
40°C	: ~102%
25°C	: ~100%
0 °C	: ~85%

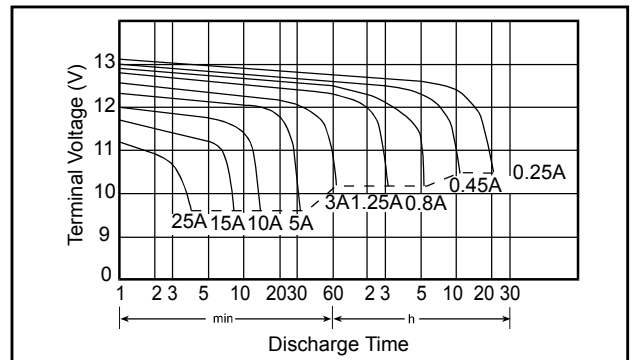
## Characteristics

CAPACITY 25 °C / 77 °F	
20 hr @ 0.25 A	: 5.0 Ah
5 hr @ 0.8 A	: 4.0 Ah
1 hr @ 3.0 A	: 3.0 Ah
1 C @ 5.0 A	: 2.5 Ah
CHARGING VOLTAGE ( 25°C , 77 °F )	
STANDBY USE	: 13.65±V0.15V
CYCLE USE	: 14.7 ± V0.3V
MAX DISCHARGE CURRENT	: 60A ( 5 sec )
MAX CHARGING CURRENT	: 1.5 A
SELF-DISCHARGE RESIDUAL CAPACITY( 25°C , 77 °F )	
AFTER 3 MONTHS	: ~90%
AFTER 6 MONTHS	: ~82%
AFTER 12 MONTHS	: ~70%

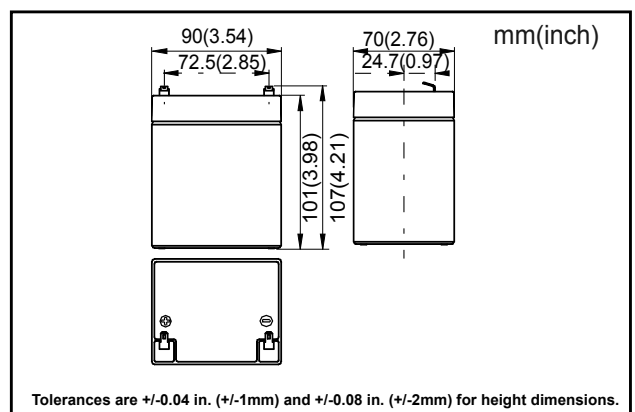
## Discharge Current vs Time



## Discharge Characteristics @25 °C ( 77 °F )



## Dimensions



## Terminal

