



Sealed Lead Acid Rechargeable Battery

**12VC40** 12V40.0Ah

**General Application**

12VC40 is a general purpose battery with 4~6 years in standby service or more than 400 cycles at 50% depth of discharge in cycle service.

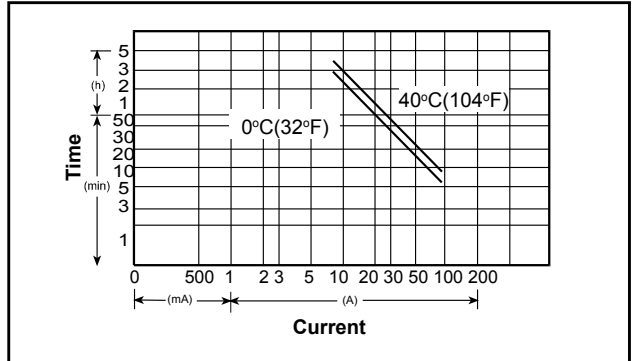
**Specification**

• NOMINAL VOLTAGE	: 12 V
• NOMINAL CAPACITY(20 hr)	: 40.0 Ah
• DIMENSIONS	
TOTAL HEIGHT	: 170 mm ( 6.69 inches )
CONTAINER HEIGHT	: 170 mm ( 6.69 inches )
LENGTH	: 197 mm ( 7.76 inches )
WIDTH	: 165 mm ( 6.50 inches )
• WEIGHT	: APPROX 13.1 Kg ( 28.89 lbs )
• CONTAINER MATERIAL	: UL94HB ABS
	: UL94V-0 ABS
• INTERNAL RESISTANCE( 25°C , 77 °F )	: ~8mΩ
• DISCHARGE CAPACITY UNDER DIFFERENT TEMPERATURES	
40°C	: ~102%
25°C	: ~100%
0 °C	: ~85%

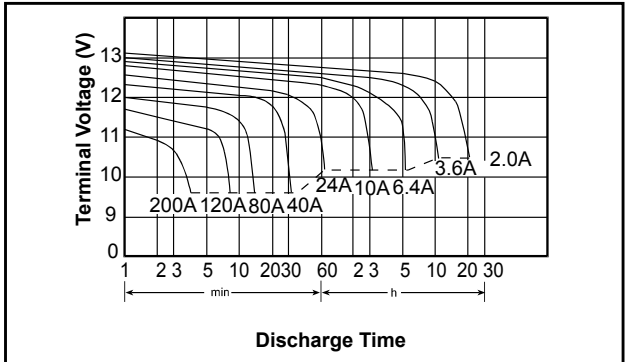
**Characteristics**

• CAPACITY 25 °C / 77 °F	
20 hr @ 2 A	: 40 Ah
5 hr @ 6.4 A	: 32 Ah
1 hr @ 24 A	: 24 Ah
1 C @ 40 A	: 20 Ah
• CHARGING VOLTAGE ( 25°C , 77 °F )	
STANDBY USE	: 13.65V±0.15 V
CYCLE USE	: 14.7V ± 0.3V
• MAX DISCHARGE CURRENT	: 400 A ( 5 sec )
• MAX CHARGING CURRENT	: 12 A
• SELF-DISCHARGE RESIDUAL CAPACITY( 25°C , 77 °F )	
AFTER 3 MONTHS	: 90%
AFTER 6 MONTHS	: 82%
AFTER 12 MONTHS	: 70%

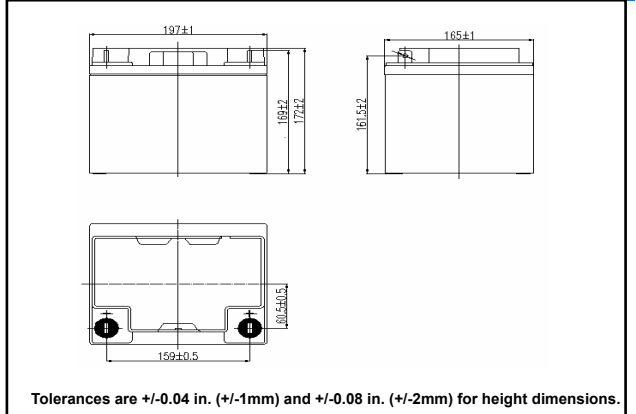
**Discharge Current vs Time**



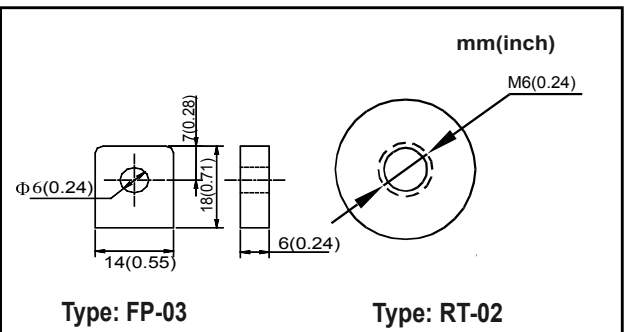
**Discharge Characteristics @25 °C ( 77 °F )**



**Dimensions**



**Terminal**



\*Specifications subject to change without notification.