

12VC4.5 12V4.5Ah

General Application

12VC4.5 is a general purpose battery with 3~5 years in standby service or more than 400 cycles at 50% depth of discharge in cycle service.

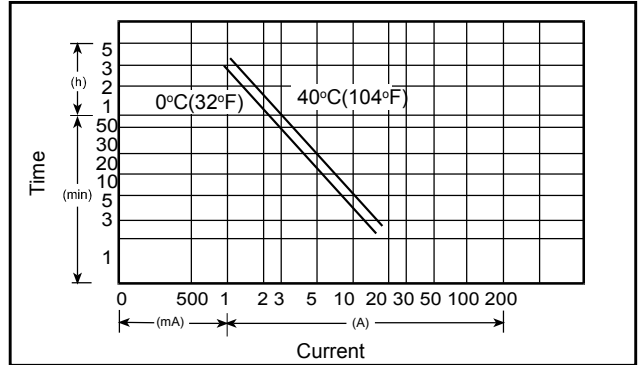
Specification

● NOMINAL VOLTAGE	: 12 V
● NOMINAL CAPACITY(20 hr)	: 4.5 Ah
● DIMENSIONS	
TOTAL HEIGHT	: 107 mm (4.21 inches)
CONTAINER HEIGHT	: 101 mm (3.98 inches)
LENGTH	: 90 mm (3.54 inches)
WIDTH	: 70 mm (2.76 inches)
● WEIGHT	: APPROX 1.64 Kg (3.61 lbs)
● CONTAINER MATERIAL	: UL94HB ABS
	: UL94V-0 ABS
● INTERNAL RESISTANCE(25°C , 77 °F)	: ~34mΩ
● DISCHARGE CAPACITY UNDER DIFFERENT TEMPERATURES	
40°C	: ~102%
25°C	: ~100%
0 °C	: ~85%

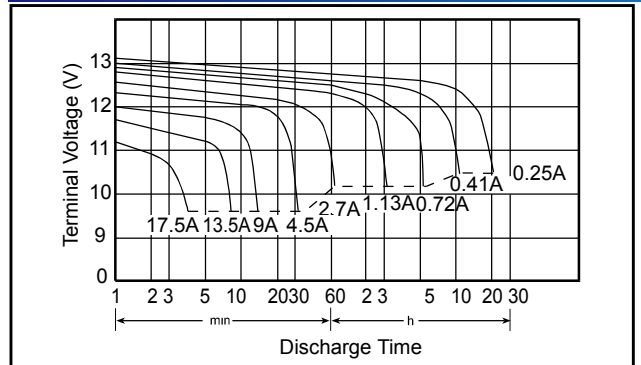
Characteristics

● CAPACITY 25 °C / 77 °F	
20 hr @ 0.225 A	: 4.5 Ah
5 hr @ 0.72 A	: 3.6 Ah
1 hr @ 2.7 A	: 2.7 Ah
1 C @ 4.5 A	: 2.25 Ah
● CHARGING VOLTAGE (25°C , 77 °F)	
STANDBY USE	: 13.65V±015 V
CYCLE USE	: 14.7V ±0.3 V
● MAX DISCHARGE CURRENT	: 60A (5 sec)
● MAX CHARGING CURRENT	: 1.35 A
● SELF-DISCHARGE RESIDUAL CAPACITY(25°C , 77 °F)	
AFTER 3 MONTHS	: ~90%
AFTER 6 MONTHS	: ~82%
AFTER 12 MONTHS	: ~70%

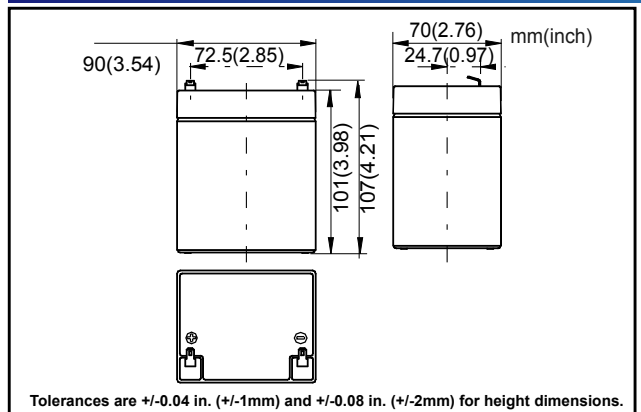
Discharge Current vs Time



Discharge Characteristics @25 °C (77 °F)



Dimensions



Terminal

