

12VC32

12V32.0Ah

General Application

12VC32 is a general purpose battery with 3~5 years in standby service or more than 400 cycles at 50% depth of discharge in cycle service.

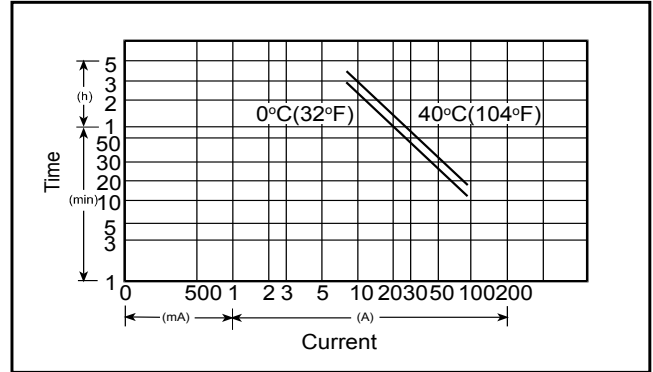
Specification

• NOMINAL VOLTAGE	: 12 V
• NOMINAL CAPACITY(20 hr)	: 32.0 Ah
• DIMENSIONS	
TOTAL HEIGHT	: 178 mm (7.01 inches)
CONTAINER HEIGHT	: 158 mm (6.22 inches)
LENGTH	: 198 mm (7.80 inches)
WIDTH	: 130 mm (5.12 inches)
• WEIGHT	: APPROX 10.5 Kg (23.15 lbs)
• CONTAINER MATERIAL	: UL94HB ABS
	: UL94V-0 ABS
• INTERNAL RESISTANCE(25°C , 77 °F)	: ~9mΩ
• DISCHARGE CAPACITY UNDER DIFFERENT TEMPERATURES	
40°C	: ~102%
25°C	: ~100%
0 °C	: ~85%

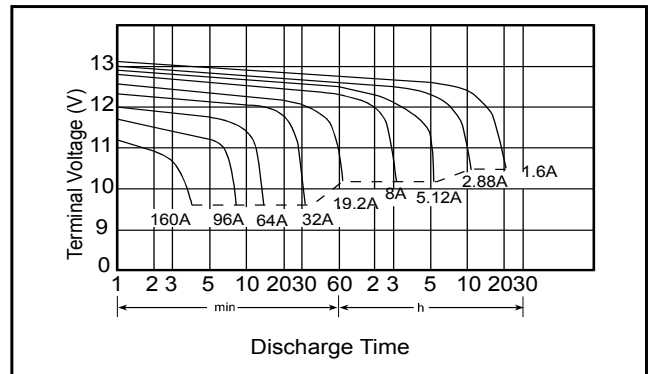
Characteristics

• CAPACITY 25 °C / 77 °F	
20 hr @ 1.75 A	: 32 Ah
5 hr @ 5.6 A	: 25.6 Ah
1 hr @ 21 A	: 19.2 Ah
1 C @ 35A	: 16 Ah
• CHARGING VOLTAGE (25°C , 77 °F)	
STANDBY USE	: 13.65V ± 0.15 V
CYCLE USE	: 14.7V ± 0.3V
• MAX DISCHARGE CURRENT	: 300A (5 sec)
• MAX CHARGING CURRENT	: 9.6 A
• SELF-DISCHARGE RESIDUAL CAPACITY(25°C , 77 °F)	
AFTER 3 MONTHS	: 90%
AFTER 6 MONTHS	: 82%
AFTER 12 MONTHS	: 70%

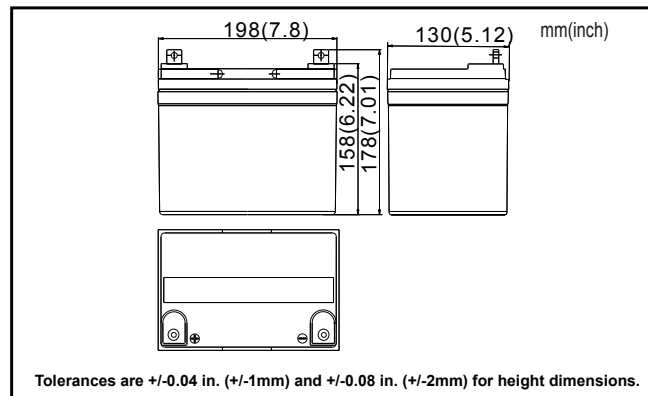
Discharge Current vs Time



Discharge Characteristics @25 °C (77 °F)



Dimensions



Terminal

