



Sealed Lead Acid Rechargeable Battery

Wuhan V-cell Energy Technology Co., Ltd.

12VC26

12V26.0Ah

General Application

12 VC 26 is a general purpose battery with 3~5 years in standby service or more than 400 cycles at 50% depth of discharge in cycle service

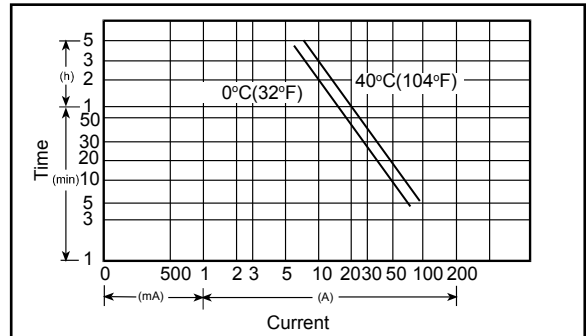
Specification

• NOMINAL VOLTAGE	: 12 V
• NOMINAL CAPACITY	: 26.0Ah
• DIMENSIONS	
TOTAL HEIGHT	:125 mm (4.92 inches)
CONTAINER HEIGHT	:125 mm (4.92 inches)
LENGTH	:166 mm (6.54 inches)
WIDTH	:175 mm (6.89 inches)
• WEIGHT	: APPROX 8.15 Kg (17.97 lbs)
• CONTAINER MATERIAL	: UL94HB ABS
	: UL94V-0 ABS
• INTERNAL RESISTANCE(25°C , 77 °F)	: ~10mΩ
• DISCHARGE CAPACITY UNDER DIFFERENT TEMPERATURES	
40°C	: ~102%
25°C	: ~100%
0 °C	: ~85%

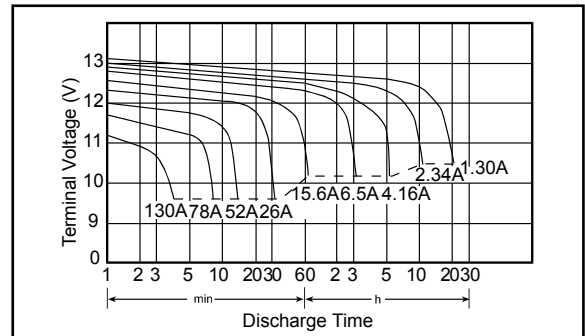
Characteristics

• CAPACITY 25 °C / 77 °F	
20 hr @ 1.25 A	: 26.0 Ah
5 hr @ 4.00 A	: 20.8 Ah
1 hr @ 15.0 A	: 15.6 Ah
1 C @ 25 A	: 13.0 Ah
• CHARGING VOLTAGE (25°C , 77 °F)	
STANDBY USE	: 13.65V ± 0.15 V
CYCLE USE	: 14.7V ± 0.3 V
• MAX DISCHARGE CURRENT	: 390A (5 sec)
• MAX CHARGING CURRENT	: 7.8 A
• SELF-DISCHARGE RESIDUAL CAPACITY(25°C , 77 °F)	
AFTER 3 MONTHS	: ~90%
AFTER 6 MONTHS	: ~82%
AFTER 12 MONTHS	: ~70%

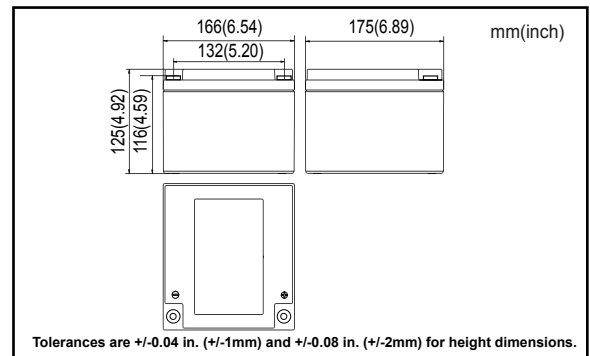
Discharge Current vs Time



Discharge Characteristics @25 °C (77 °F)



Dimensions



Terminal

