



Sealed Lead Acid Rechargeable Battery

Wuhan V-cell Energy Technology Co., Ltd.

12VC200 12V200.0Ah

General Application

12VC200 is a high performance battery with 4~6 years in standby service or more than 500 cycles at 50% depth of discharge in cycle service.

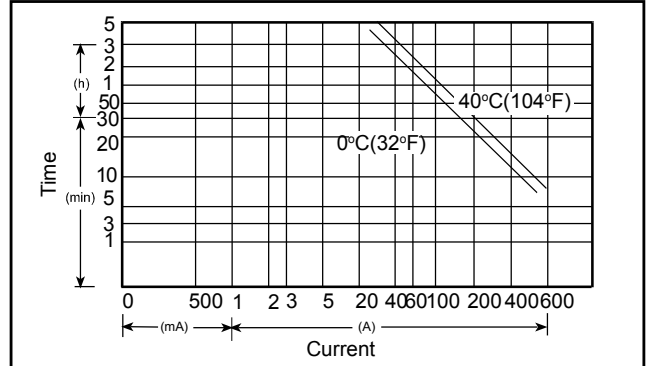
Specification

● NOMINAL VOLTAGE	: 12 V
● NOMINAL CAPACITY(20 hr)	: 200.0 Ah
● DIMENSIONS	
TOTAL HEIGHT	: 244 mm (9.61 inches)
CONTAINER HEIGHT	: 218 mm (8.58 inches)
LENGTH	: 517 mm (20.35 inches)
WIDTH	: 240 mm (9.54 inches)
● WEIGHT	: APPROX65.00Kg (143.33lbs)
● CONTAINER MATERIAL	: UL94HB ABS
	: UL94V-0 ABS
● INTERNAL RESISTANCE(25°C , 77 °F)	: ~3.0 mΩ
● DISCHARGE CAPACITY UNDER DIFFERENT TEMPERATURES	
40°C	: ~102%
25°C	: ~100%
0 °C	: ~85%

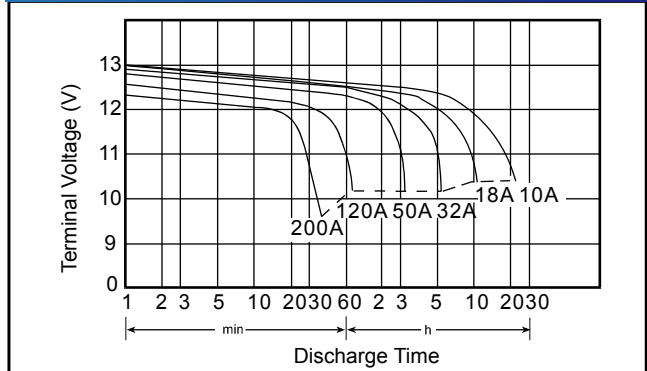
Characteristics

● CAPACITY 25 °C / 77 °F	
20 hr @ 10 A	: 200.0 Ah
5 hr @ 32 A	: 160.0 Ah
1 hr @ 120 A	: 120.0 Ah
1 C @ 200 A	: 100.0 Ah
● CHARGING VOLTAGE (25°C , 77 °F)	
STANDBY USE	: 13.65V±0.15 V
CYCLE USE	: 14.7V ± 0.3 V
● MAX DISCHARGE CURRENT	: 600 A (5 sec)
● MAX CHARGING CURRENT	: 60 A
● SELF-DISCHARGE RESIDUAL CAPACITY(25°C , 77 °F)	
AFTER 3 MONTHS	: ~90%
AFTER 6 MONTHS	: ~82%
AFTER 12 MONTHS	: ~70%

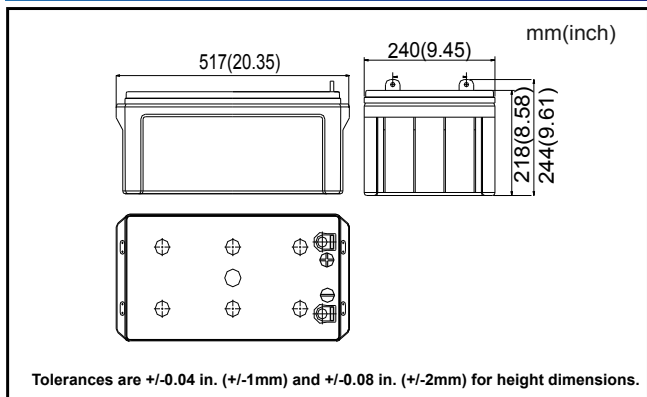
Discharge Current vs Time



Discharge Characteristics @25 °C (77 °F)



Dimensions



Terminal

