

12VC2.3V 12V2.3Ah

General Application

12VC2.3V is a general purpose battery with 3~5 years in standby service or more than 400 cycles at 50% depth of discharge in cycle service.

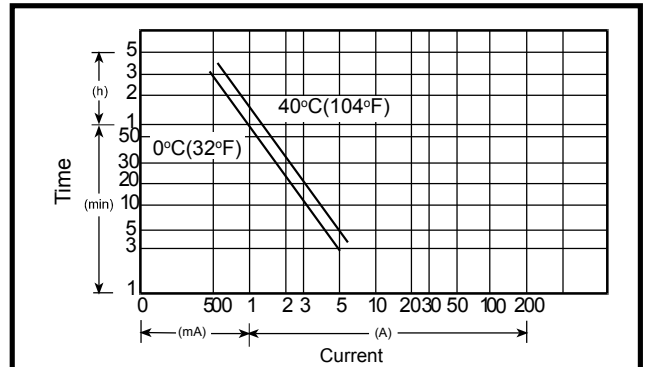
Specification

NOMINAL VOLTAGE	: 12 V
NOMINAL CAPACITY(20 hr)	: 2.0 Ah
DIMENSIONS	
TOTAL HEIGHT	: 61.7 mm (2.43 inches)
CONTAINER HEIGHT	: 61.7 mm (2.43 inches)
LENGTH	: 182 mm (7.17 inches)
WIDTH	: 24 mm (0.94 inches)
WEIGHT	: APPROX 0.75 Kg (1.65 lbs)
CONTAINER MATERIAL	: UL94HB ABS
	: UL94V-0 ABS
INTERNAL RESISTANCE(25°C , 77 °F)	: ~80mΩ
DISCHARGE CAPACITY UNDER DIFFERENT TEMPERATURES	
40°C	: ~102%
25°C	: ~100%
0 °C	: ~85%

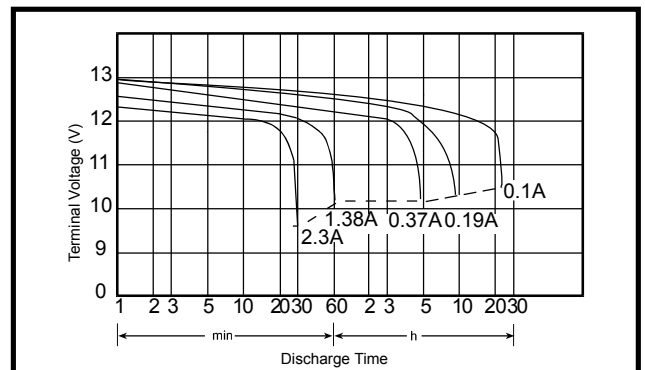
Characteristics

CAPACITY 25 °C / 77 °F	
20 hr @ 0.1 A	: 2.0 Ah
10 hr @ 0.19 A	: 1.90 Ah
5 hr @ 0.35 A	: 1.75 Ah
1 hr @ 1.4 A	: 1.4 Ah
CHARGING VOLTAGE (25°C , 77 °F)	
STANDBY USE	: 13.65V ±0.15 V
CYCLE USE	: 14.7V ± 0.3V
MAX DISCHARGE CURRENT	: 10 A (5 sec)
MAX CHARGING CURRENT	: 0.60 A
SELF-DISCHARGE RESIDUAL CAPACITY(25°C , 77 °F)	
AFTER 3 MONTHS	: ~90%
AFTER 6 MONTHS	: ~82%
AFTER 12 MONTHS	: ~70%

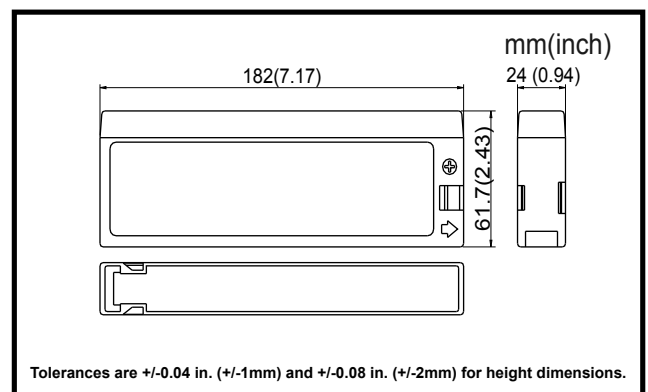
Discharge Current vs Time



Discharge Characteristics @25 °C (77 °F)



Dimensions



Terminal

