

General Application

12VC18 is a general purpose battery with 3~5 years in standby service or more than 400 cycles at 50% depth of discharge in cycle service.

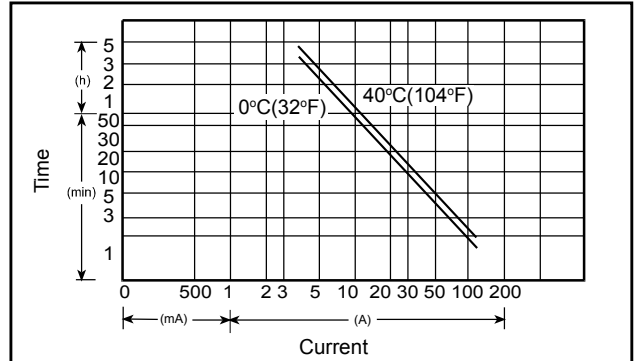
Specification

● NOMINAL VOLTAGE	: 12 V
● NOMINAL CAPACITY(20 hr)	: 18.0 Ah
● DIMENSIONS	
TOTAL HEIGHT	: 167 mm (6.58 inches)
CONTAINER HEIGHT	: 167 mm (6.58 inches)
LENGTH	: 181 mm (7.13 inches)
WIDTH	: 76 mm (2.99 inches)
● WEIGHT	: APPROX 5.8 Kg (12.79 lbs)
● CONTAINER MATERIAL	: UL94HB ABS
	: UL94V-0 ABS
● INTERNAL RESISTANCE(25°C , 77 °F)	: ~13mΩ
● DISCHARGE CAPACITY UNDER DIFFERENT TEMPERATURES	
40°C	: ~102%
25°C	: ~100%
0 °C	: ~85%

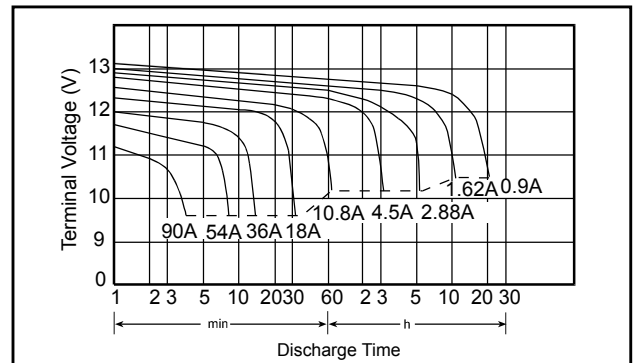
Characteristics

● CAPACITY 25 °C / 77 °F	
20 hr @ 0.9 A	: 18.0 Ah
5 hr @ 2.88 A	: 14.4 Ah
1 hr @ 10.8 A	: 10.8 Ah
1 C @ 18 A	: 9.0 Ah
● CHARGING VOLTAGE (25°C , 77 °F)	
STANDBY USE	: 13.65V±0.15V
CYCLE USE	: 14.7V±0.3V
● MAX DISCHARGE CURRENT	: 300 A (5 sec)
● MAX CHARGING CURRENT	: 5.4 A
● SELF-DISCHARGE RESIDUAL CAPACITY(25°C , 77 °F)	
AFTER 3 MONTHS	: ~90%
AFTER 6 MONTHS	: ~82%
AFTER 12 MONTHS	: ~70%

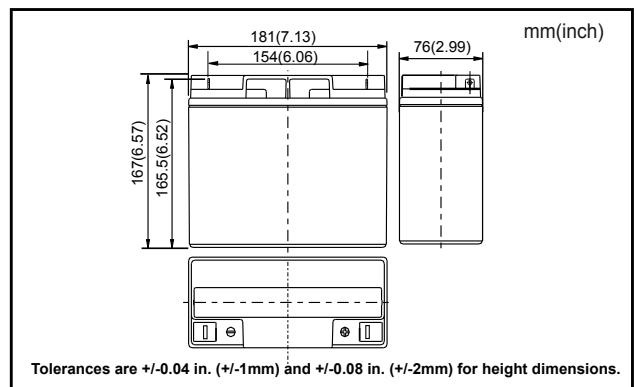
Discharge Current vs Time



Discharge Characteristics @25 °C (77 °F)



Dimensions



Terminal

