

### General Application

12VC120 is a highperformance battery with 4~6 years in standby service or more than 500 cycles at 50% depth of discharge in cycle service.

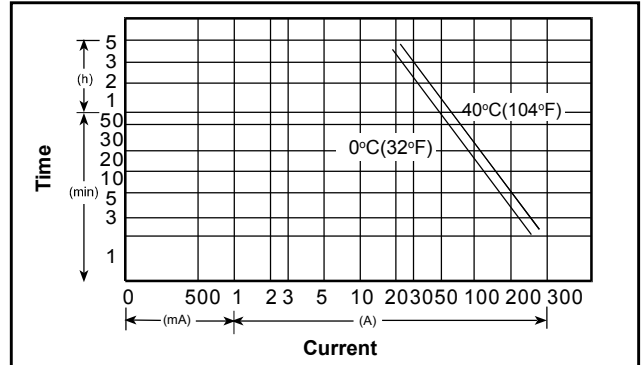
### Specification

● NOMINAL VOLTAGE	: 12 V
● NOMINAL CAPACITY(20 hr)	: 120.0 Ah
● DIMENSIONS	
TOTAL HEIGHT	: 235 mm ( 9.25 inches )
CONTAINER HEIGHT	: 210 mm ( 8.27 inches )
LENGTH	: 407 mm ( 16.02 inches )
WIDTH	: 173 mm ( 6.81 inches )
● WEIGHT	: APPROX 36 Kg ( 79.38lbs )
● CONTAINER MATERIAL	: UL94HB ABS
	: UL94V-0 ABS
● INTERNAL RESISTANCE( 25°C , 77 °F )	: ~5.0 mΩ
● DISCHARGE CAPACITY UNDER DIFFERENT TEMPERATURES	
40°C	: ~102%
25°C	: ~100%
0 °C	: ~85%

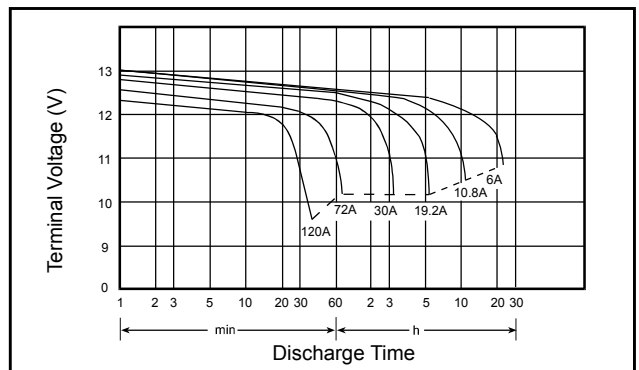
### Characteristics

● CAPACITY 25 °C / 77 °F	
20 hr @ 6 A	: 120.0 Ah
5 hr @ 19.2 A	: 96.0 Ah
1 hr @ 72 A	: 72.0 Ah
1 C @ 120 A	: 60.0 Ah
● CHARGING VOLTAGE ( 25°C , 77 °F )	
STANDBY USE	: 13.65V ± 0.15 V
CYCLE USE	: 14.7 ± 0.3 V
● MAX DISCHARGE CURRENT	: 600 A ( 5 sec )
● MAX CHARGING CURRENT	: 36 A
● SELF-DISCHARGE RESIDUAL CAPACITY( 25°C , 77 °F )	
AFTER 3 MONTHS	: ~90%
AFTER 6 MONTHS	: ~82%
AFTER 12 MONTHS	: ~70%

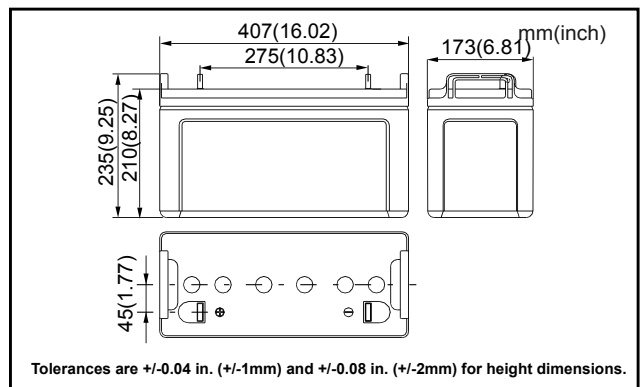
### Discharge Current vs Time



### Discharge Characteristics @25 °C ( 77 °F )



### Dimensions



### Terminal

