



Sealed Lead Acid Rechargeable Battery

Wuhan V-cell Energy Technology Co., Ltd.

12VC100

12V100.0Ah

General Application

12VC100 is a high performance battery with 4~6 years in standby service or more than 500 cycles at 50% depth of discharge in cycle service.

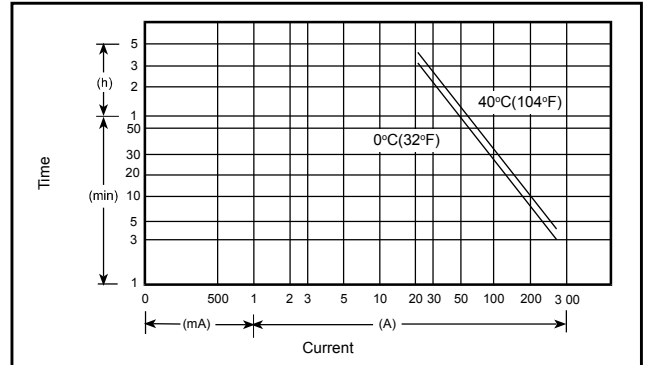
Specification

● NOMINAL VOLTAGE	: 12 V
● NOMINAL CAPACITY(20 hr)	: 100.0 Ah
● DIMENSIONS	
TOTAL HEIGHT	: 221 mm (8.70 inches)
CONTAINER HEIGHT	: 217 mm (8.54 inches)
LENGTH	: 329 mm (12.95 inches)
WIDTH	: 172 mm (6.77 inches)
● WEIGHT	: APPROX 32 Kg (70.56 lbs)
● CONTAINER MATERIAL	: UL94HB ABS
	: UL94V-0 ABS
● INTERNAL RESISTANCE(25°C , 77 °F)	: ~6.5 mΩ
● DISCHARGE CAPACITY UNDER DIFFERENT TEMPERATURES	
40°C	: ~102%
25°C	: ~100%
0 °C	: ~85%

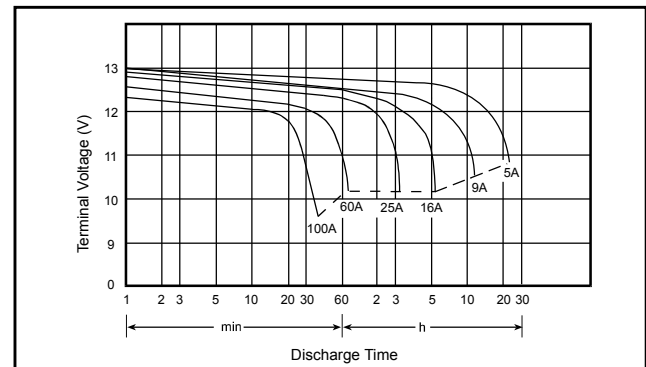
Characteristics

● CAPACITY 25 °C / 77 °F	
20 hr @ 5 A	: 100.0 Ah
5 hr @ 16 A	: 80.0 Ah
1 hr @ 60 A	: 60.0 Ah
1 C @ 100 A	: 50.0 Ah
● CHARGING VOLTAGE (25°C , 77 °F)	
STANDBY USE	: 13.65V 0.15 V
CYCLE USE	: 14.7V 0.3 V
● MAX DISCHARGE CURRENT	: 600 A (5 sec)
● MAX CHARGING CURRENT	: 30 A
● SELF-DISCHARGE RESIDUAL CAPACITY(25°C , 77 °F)	
AFTER 3 MONTHS	: ~90%
AFTER 6 MONTHS	: ~82%
AFTER 12 MONTHS	: ~70%

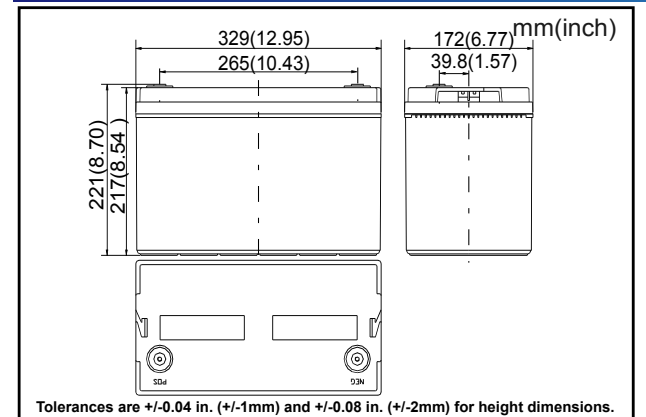
Discharge Current vs Time



Discharge Characteristics @25 °C (77 °F)



Dimensions



Terminal

