



Sealed Lead Acid Rechargeable Battery

Wuhan V-cell Energy Technology Co., Ltd.

**12VC10** 12V10.0Ah

### General Application

12VC10 is a general purpose battery with 3~5 years in standby service or more than 400 cycles at 50% depth of discharge in cycle service.

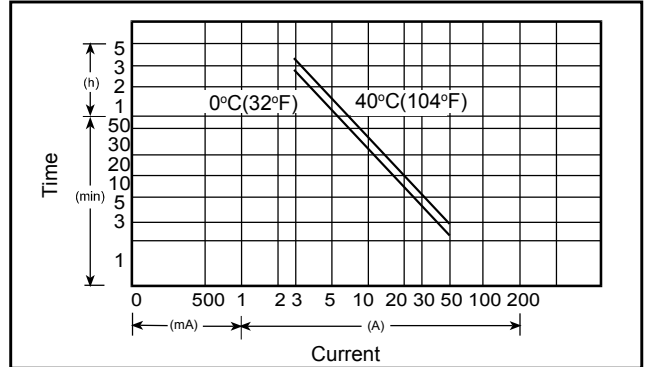
### Specification

● NOMINAL VOLTAGE	: 12 V
● NOMINAL CAPACITY(20 hr)	: 10.0 Ah
● DIMENSIONS	
TOTAL HEIGHT	: 100 mm ( 3.94 inches )
CONTAINER HEIGHT	: 94 mm ( 3.70 inches )
LENGTH	: 151 mm ( 5.94 inches )
WIDTH	: 98 mm ( 3.86 inches )
● WEIGHT	: APPROX 3.52 Kg ( 7.76 lbs )
● CONTAINER MATERIAL	: UL94HB ABS
	: UL94V-0 ABS
● INTERNAL RESISTANCE( 25°C , 77 °F )	: ~15 mΩ
● DISCHARGE CAPACITY UNDER DIFFERENT TEMPERATURES	
40°C	: ~102%
25°C	: ~100%
0 °C	: ~85%

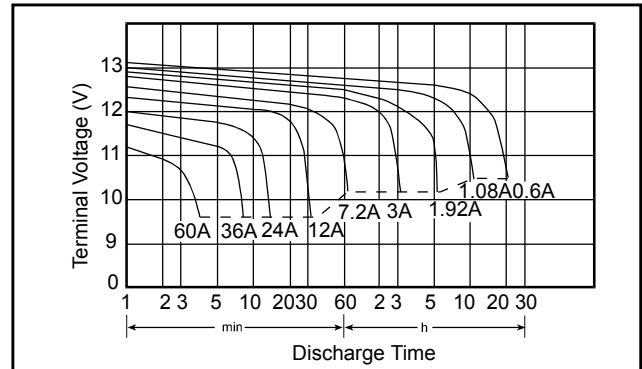
### Characteristics

● CAPACITY 25 °C / 77 °F	
20 hr @ 0.6 A	: 10.0 Ah
5 hr @ 1.92 A	: 8.0 Ah
1 hr @ 7.2 A	: 6.0 Ah
1 C @ 12 A	: 5.0 Ah
● CHARGING VOLTAGE ( 25°C , 77 °F )	
STANDBY USE	: 13.65V±0.15V
CYCLE USE	: 14.7V±0.3V
● MAX DISCHARGE CURRENT	: 120 A ( 5 sec )
● MAX CHARGING CURRENT	: 3.0 A
● SELF-DISCHARGE RESIDUAL CAPACITY( 25°C , 77 °F )	
AFTER 3 MONTHS	: ~90%
AFTER 6 MONTHS	: ~82%
AFTER 12 MONTHS	: ~70%

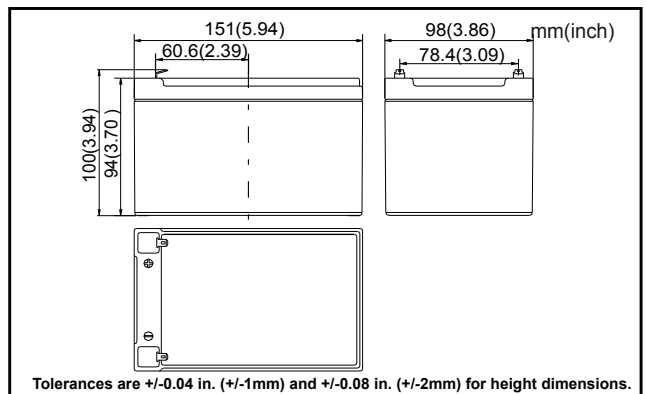
### Discharge Current vs Time



### Discharge Characteristics @25 °C ( 77 °F )



### Dimensions



### Terminal

