

# 12VC1.3 12V1.3Ah

## General Application

12VC1.3 is a general purpose battery with 3~5 years in standby service or more than 400 cycles at 50% depth of discharge in cycle service.

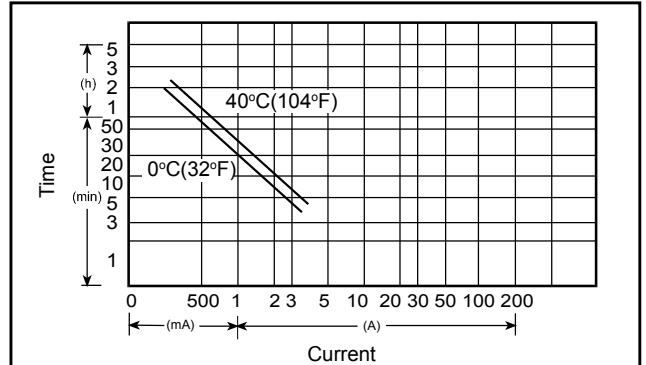
## Specification

• NOMINAL VOLTAGE	: 12 V
• NOMINAL CAPACITY(20 hr)	: 1.3 Ah
• DIMENSIONS	
TOTAL HEIGHT	: 59 mm ( 2.32 inches )
CONTAINER HEIGHT	: 52 mm ( 2.05 inches )
LENGTH	: 97 mm ( 3.82 inches )
WIDTH	: 43 mm ( 1.69 inches )
• WEIGHT	: APPROX 0.61 Kg ( 1.34 lbs )
• CONTAINER MATERIAL	: UL94HB ABS
	: UL94V-0 ABS
• INTERNAL RESISTANCE( 25°C , 77 °F )	: ~80mΩ
• DISCHARGE CAPACITY UNDER DIFFERENT TEMPERATURES	
40°C	: ~102%
25°C	: ~100%
0 °C	: ~85%

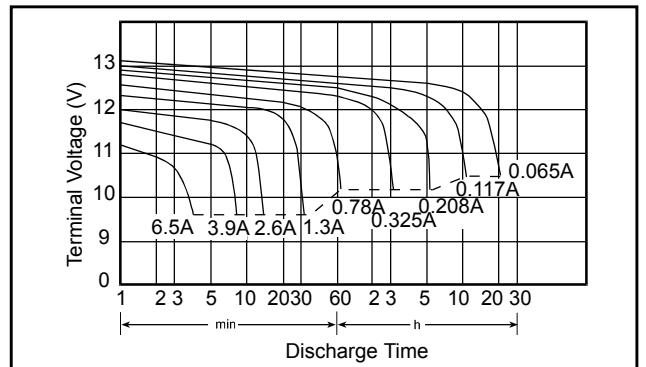
## Characteristics

• CAPACITY 25 °C / 77 °F	
20 hr @ 0.065 A	: 1.3 Ah
5 hr @ 0.208 A	: 1.04 Ah
1 hr @ 0.78 A	: 0.78 Ah
1 C @ 1.3 A	: 0.65Ah
• CHARGING VOLTAGE ( 25°C , 77 °F )	
STANDBY USE	: 13.65V ±0.15 V
CYCLE USE	: 14.7 V ±0.3V
• MAX DISCHARGE CURRENT	: 20 A ( 5 sec )
• MAX CHARGING CURRENT	: 0.39 A
• SELF-DISCHARGE RESIDUAL CAPACITY	
AFTER 3 MONTHS	: ~90%
AFTER 6 MONTHS	: ~82%
AFTER 12 MONTHS	: ~70%

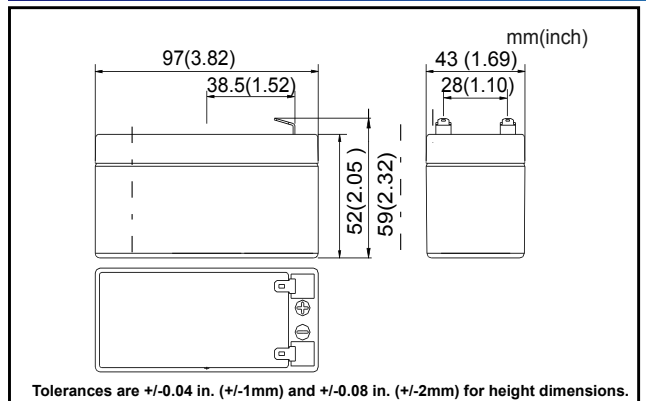
## Discharge Current vs Time



## Discharge Characteristics @25 °C ( 77 °F )



## Dimensions



## Terminal

