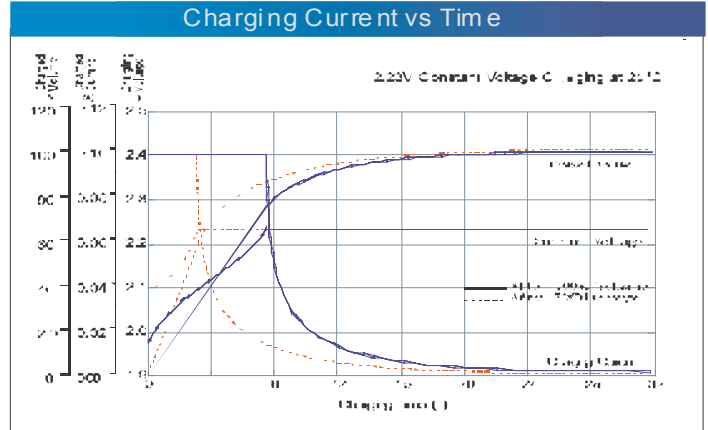
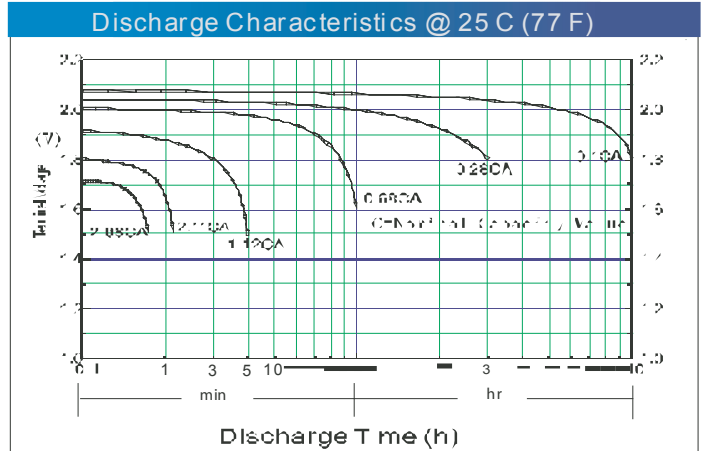


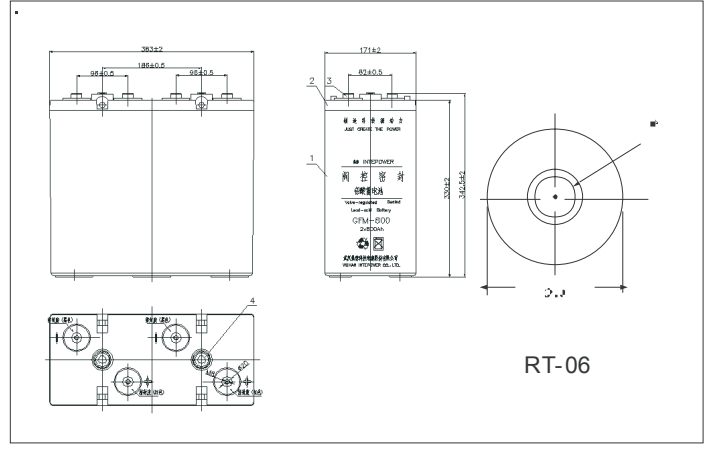
**GFM800 2V 800Ah**



Physical Specification		
Nominal Voltage		2V
Nominal Capacity (10HR)		800AH
Dimension	Length	383 ± 2mm (15.09 inch)
	Width	171 ± 2mm (6.74 inch)
	Container Height	330 ± 2mm (13.00 inch)
	Total Height (with cover)	345 ± 2mm (13.59 inch)
Weight		Approx 49kg (108.04 lbs)
Standard Terminal		Threaded insert 8mm STUD



Electrical Specification	
<b>Capacity (25°C/77°F)</b>	
10hr:	800 Ah
3hr:	626 Ah
<b>Charge Voltage (25°C/77°F)</b>	
Float charge:	2.23V (-3mV/C)
Equalizing charge:	2.3-2.35V (-3mV/C)
<b>Self-discharge residual capacity:</b>	
After 3 months:	~90 %
After 6 months:	~82 %
After 12 months:	~70 %



**Constant Current (amp) and Constant Power (Watt) Discharge Table (25 °C / 77°F)**

Time (m)	5	10	15	20	30	40	50	60	120	180	240	300	360	480	600	720	1200
<b>Cut of V</b>	<b>W</b>																
<b>1.67</b>	2232.3	1904.2	1688.2	1520.2	1232.2	1024.1	896.1	860.8	526.0	398.5	326.8	280.5	247.1	197.7	165.0	148.5	99.6
<b>1.75</b>	1943.0	1751.0	1543.0	1375.0	1167.0	999.0	887.0	847.0	519.0	399.0	327.0	276.6	244.6	195.8	163.0	141.4	97.4
<b>1.80</b>	1744.0	1560.0	1392.0	1264.0	1096.0	960.0	872.0	788.8	513.6	391.2	322.4	273.6	242.4	194.4	162.4	140.8	96.8
<b>1.83</b>	1584.0	1392.0	1256.0	1160.0	1008.0	896.0	816.0	736.0	492.0	377.6	310.4	264.8	234.4	188.0	157.6	136.0	93.6
	<b>A</b>																
<b>1.67</b>	1336.0	1136.0	1008.0	904.0	736.0	608.0	536.0	496.0	284.8	212.0	173.6	147.2	128.8	103.2	85.6	73.6	51.2
<b>1.75</b>	1104.0	992.0	880.0	784.0	664.0	568.0	504.0	480.0	281.6	208.8	169.6	143.2	125.6	100.8	84.0	72.0	49.6
<b>1.80</b>	968.0	864.0	768.0	696.0	600.0	528.0	480.0	434.4	269.6	200.0	165.6	139.2	122.4	98.4	80.0	71.2	48.0
<b>1.83</b>	856.0	752.0	680.0	632.0	544.0	488.0	440.0	400.0	255.2	194.4	158.4	134.4	117.6	95.2	79.2	68.0	45.6