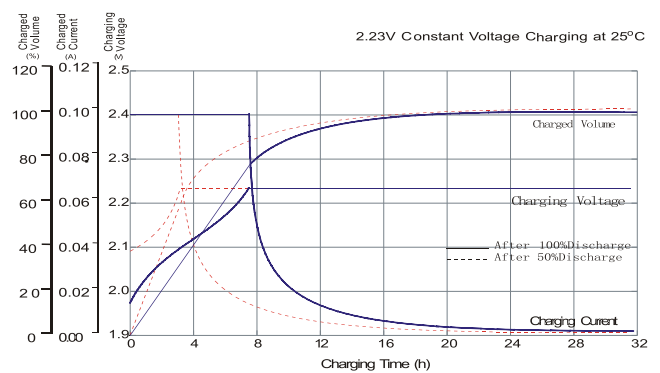


GFM3000 2V 3000Ah



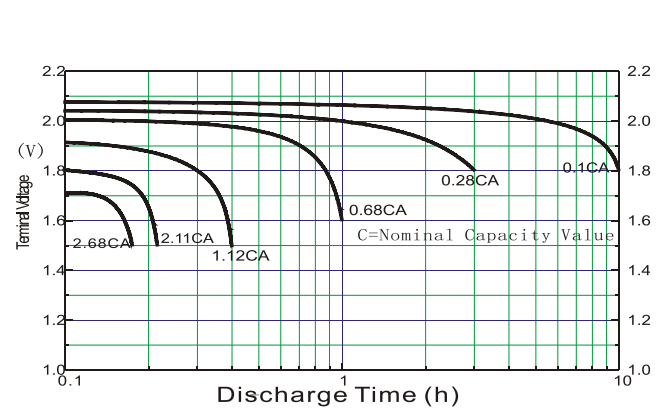
Charging Current vs Time



Physical Specification

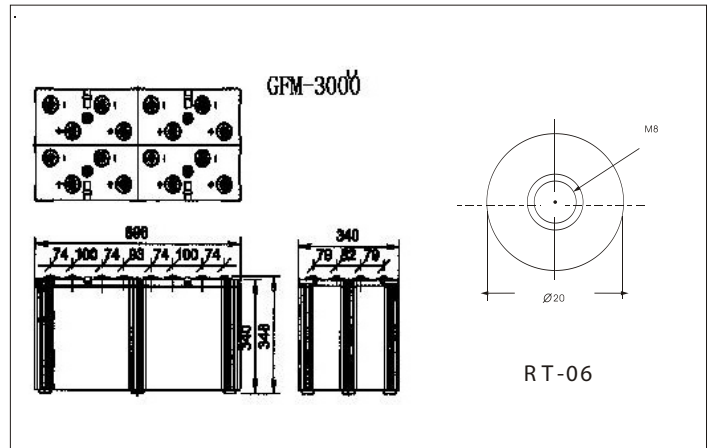
Nominal Voltage		2V
Nominal Capacity (10HR)		3000AH
Dimension	Length	696 ± 2mm (27.42 inch)
	Width	340 ± 2mm (13.40 inch)
	Container Height	330 ± 2mm (13.00 inch)
	Total Height (with cover)	345 ± 2mm (13.59 inch)
Weight		Approx 173kg (381.47 lbs)
Standard Terminal		Threaded insert 8mm STUD

Discharge Characteristics @ 25 C (77 F)



Electrical Specification

Capacity (25°C / 77°F)	
10hr:	3000 Ah
3hr:	2325 Ah
Charge Voltage (25°C / 77°F)	
Float charge:	2.23V (-3mV/C)
Equalizing charge:	2.3-2.35V (-3mV/C)
Self-discharge residual capacity:	
After 3 months:	~90%
After 6 months:	~82%
After 12 months:	~70%



Constant Current (amp) and Constant Power (Watt) Discharge Table (25 C / 77°F)

Time(m)	5	10	15	20	30	40	50	60	120	180	240	300	360	480	600	720	1200
Cut of V	W																
1.67	7812	6783	6014	5510	4466	3712	3248	3186	1947	1475	1210	1056	930	744	621	540	375
1.75	6561	5913	5404	4816	4088	3625	3219	3074	1918	1475	1210	1024	921	738	615	534	369
1.80	5886	5265	4872	4424	3836	3480	3161	2859	1894	1443	1189	1009	909	729	609	528	363
1.83	5346	4698	4396	4060	3616	3214	2978	2686	1796	1402	1152	983	879	705	591	510	351
	A																
1.67	4676	3976	3616	3243	2686	2219	1956	1841	1057	787	651	552	483	387	321	276	192
1.75	3864	3472	3146	2803	2424	2073	1840	1764	1035	775	630	532	471	378	315	270	186
1.80	3388	3024	4104	3719	2175	1914	1758	1591	987	743	615	517	459	369	300	267	180
1.83	2996	2632	2440	2267	1972	1769	1617	1470	947	722	590	501	441	357	297	255	171