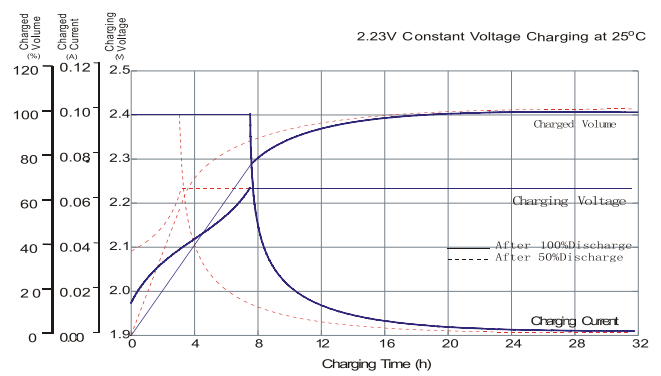


GFM300 2V 300Ah



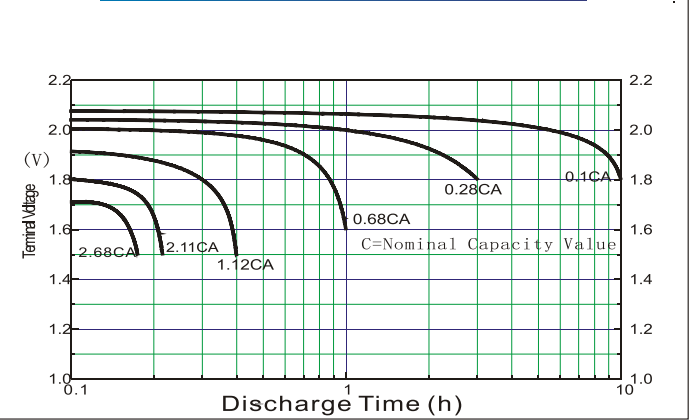
Charging Current vs Time



Physical Specification

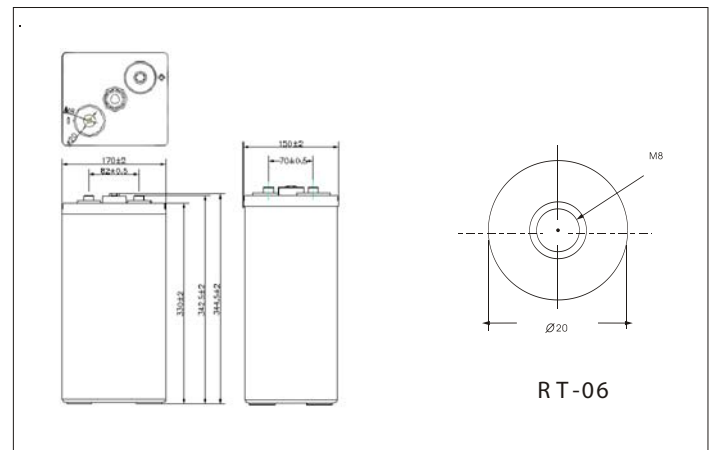
Nominal Voltage		2V
Nominal Capacity (10HR)		300AH
Dimension	Length	170 ± 2mm (6.69 inch)
	Width	150 ± 2mm (5.91 inch)
	Container Height	330 ± 2mm (13.00 inch)
	Total Height (with cover)	345 ± 2mm (13.58 inch)
Weight		Approx 18.5kg (40.79 lbs)
Standard Terminal		Threaded insert 8mm STUD

Discharge Characteristics @ 25 C (77 F)



Electrical Specification

Capacity(25°C/77°F)	
10hr:	300 Ah
3hr:	234.9 Ah
Charge Voltage(25°C/77°F)	
Float charge:	2.23V (-3mV/C)
Equalizing charge:	2.3-2.35V (-3mV/C)
Self-discharge residual capacity:	
After 3 months:	~90%
After 6 months:	~82%
After 12 months:	~70%



Constant Current (amp) and Constant Power (Watt) Discharge Table ( 25 C / 77°F )

Time(m)	5	10	15	20	30	40	50	60	120	180	240	300	360	480	600	720	1200
Cut of V	W																
1.67	836.4	713.5	632.6	569.6	461.7	383.7	335.8	321.8	196.7	149.0	122.2	104.9	92.4	73.9	61.7	53.6	37.3
1.75	728.0	656.0	578.0	515.0	437.0	374.0	332.0	317.0	194.0	149.0	122.0	103.1	91.1	72.8	60.5	52.4	37.0
1.80	654.0	585.0	522.0	474.0	411.0	360.0	327.0	295.8	192.6	146.7	120.9	102.6	90.9	72.9	60.9	52.8	36.3
1.83	594.0	522.0	471.0	435.0	378.0	336.0	306.0	276.0	184.5	141.6	116.4	99.3	87.9	70.5	59.1	51.0	35.1
	A																
1.67	501.0	426.0	378.0	339.0	276.0	228.0	201.0	186.0	106.8	79.5	65.1	55.2	48.3	38.7	32.1	27.6	19.2
1.75	414.0	372.0	330.0	294.0	249.0	213.0	189.0	180.0	105.6	78.3	63.6	53.7	47.1	37.8	31.5	27.0	18.6
1.80	363.0	324.0	288.0	261.0	225.0	198.0	180.0	162.9	101.1	75.0	62.1	52.2	45.9	36.9	30.0	26.7	18.0
1.83	321.0	282.0	255.0	237.0	204.0	183.0	165.0	150.0	95.7	72.9	59.4	50.4	44.1	35.7	29.7	25.5	17.1