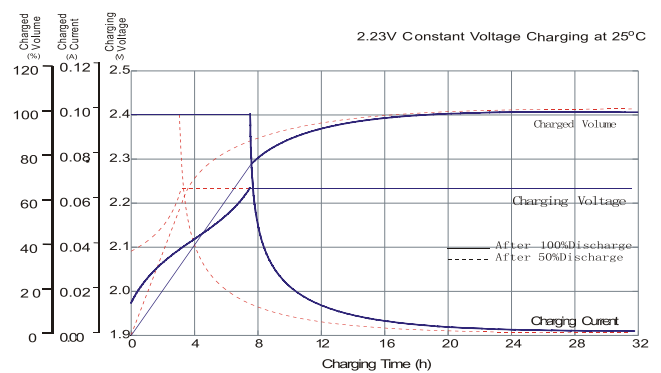


GFM2000 2V 2000Ah



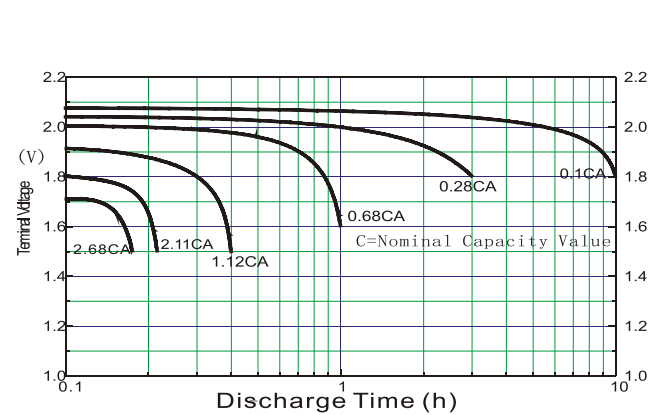
Charging Current vs Time



Physical Specification

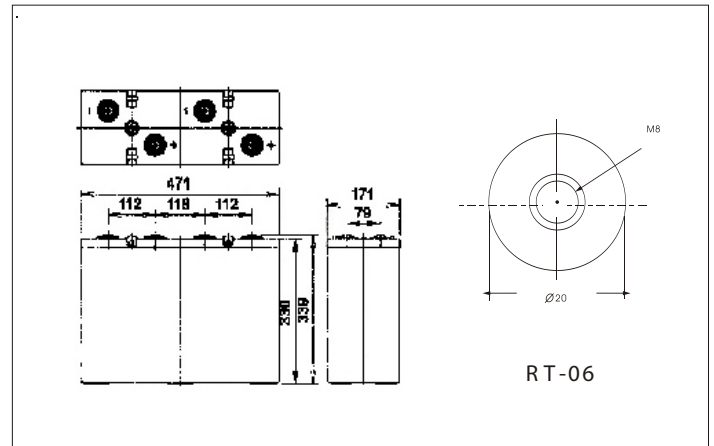
|                         |                           |                          |
|-------------------------|---------------------------|--------------------------|
| Nominal Voltage         |                           | 2V                       |
| Nominal Capacity (10HR) |                           | 2000AH                   |
| Dimension               | Length                    | 476 ± 2mm (18.75 inch)   |
|                         | Width                     | 337 ± 2mm (13.28 inch)   |
|                         | Container Height          | 330 ± 2mm (13.00 inch)   |
|                         | Total Height (with cover) | 345 ± 2mm (13.59 inch)   |
| Weight                  |                           | Approx 115kg (253.58lbs) |
| Standard Terminal       |                           | Threaded insert 8mm STUD |

Discharge Characteristics @ 25 C (77 F)



Electrical Specification

|                                   |                    |
|-----------------------------------|--------------------|
| Capacity(25°C/77°F)               |                    |
| 10hr:                             | 2000 Ah            |
| 3hr:                              | 1519 Ah            |
| Charge Voltage(25°C/77°F)         |                    |
| Float charge:                     | 2.23V (-3mV/C)     |
| Equalizing charge:                | 2.3-2.35V (-3mV/C) |
| Self-discharge residual capacity: |                    |
| After 3 months:                   | ~90%               |
| After 6 months:                   | ~82%               |
| After 12 months:                  | ~70%               |



Constant Current (amp) and Constant Power (Watt) Discharge Table ( 25 C /77°F )

| Time(m)  | 5      | 10     | 15     | 20     | 30     | 40     | 50     | 60     | 120    | 180   | 240   | 300   | 360   | 480   | 600   | 720   | 1200  |
|----------|--------|--------|--------|--------|--------|--------|--------|--------|--------|-------|-------|-------|-------|-------|-------|-------|-------|
| Cut of V | W      |        |        |        |        |        |        |        |        |       |       |       |       |       |       |       |       |
| 1.67     | 5161.5 | 4593.4 | 4072.3 | 3667.0 | 3003.0 | 2496.0 | 2184.0 | 2149.2 | 1313.4 | 995.0 | 820.0 | 704.0 | 620.0 | 496.0 | 414.0 | 360.0 | 250.0 |
| 1.75     | 4374.0 | 3942.0 | 3570.5 | 3182.0 | 2701.0 | 2375.0 | 2109.0 | 2067.0 | 1267.5 | 995.0 | 815.9 | 694.0 | 614.0 | 492.0 | 410.0 | 356.0 | 246.0 |
| 1.80     | 3924.0 | 3510.0 | 3253.8 | 2954.6 | 2561.9 | 2304.0 | 2092.8 | 1922.7 | 1251.9 | 953.6 | 785.9 | 684.0 | 606.0 | 486.0 | 406.0 | 352.0 | 242.0 |
| 1.83     | 3564.0 | 3132.0 | 2983.0 | 2755.0 | 2394.0 | 2161.6 | 1968.6 | 1803.2 | 1205.4 | 925.1 | 760.5 | 648.8 | 586.0 | 470.0 | 394.0 | 340.0 | 234.0 |
|          | A      |        |        |        |        |        |        |        |        |       |       |       |       |       |       |       |       |
| 1.67     | 3089.5 | 2627.0 | 2394.0 | 2147.0 | 1784.8 | 1474.4 | 1299.8 | 1227.6 | 704.9  | 530.0 | 434.0 | 368.0 | 322.0 | 258.0 | 214.0 | 184.0 | 128.0 |
| 1.75     | 2539.2 | 2281.6 | 2068.0 | 1842.4 | 1560.4 | 1377.4 | 1222.2 | 1164.0 | 682.9  | 506.3 | 419.8 | 354.4 | 314.0 | 252.0 | 210.0 | 180.0 | 124.0 |
| 1.80     | 2238.5 | 1998.0 | 1824.0 | 1653.0 | 1425.0 | 1273.8 | 1158.0 | 1058.9 | 657.2  | 492.5 | 407.8 | 348.0 | 306.0 | 246.0 | 200.0 | 178.0 | 120.0 |
| 1.83     | 1979.5 | 1739.0 | 1615.0 | 1501.0 | 1312.4 | 1177.3 | 1061.5 | 980.0  | 625.2  | 481.1 | 392.0 | 332.6 | 294.0 | 238.0 | 198.0 | 170.0 | 114.0 |