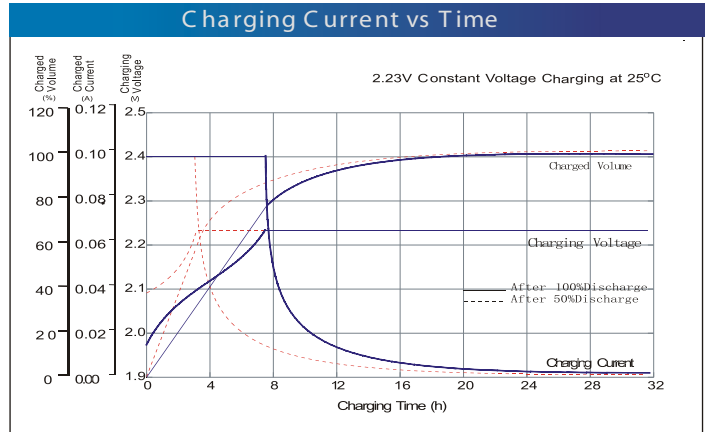
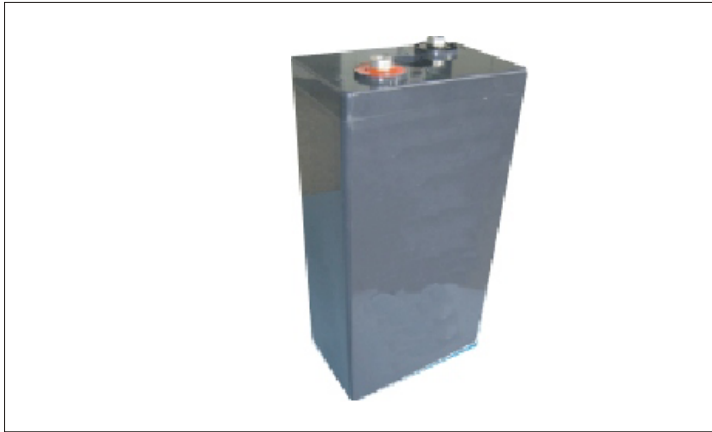


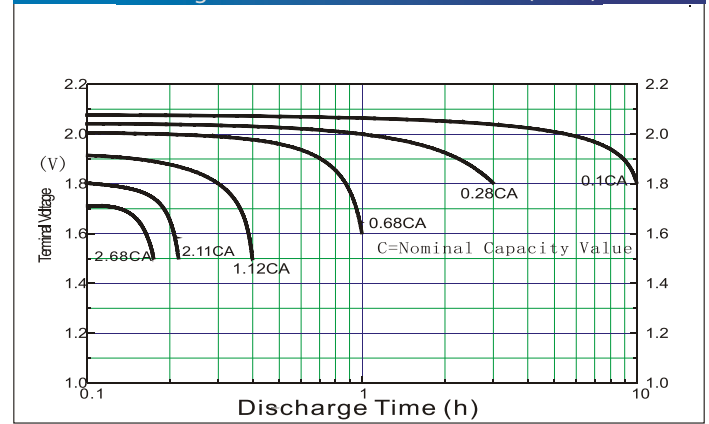
GFM200 2V 200Ah



Physical Specification

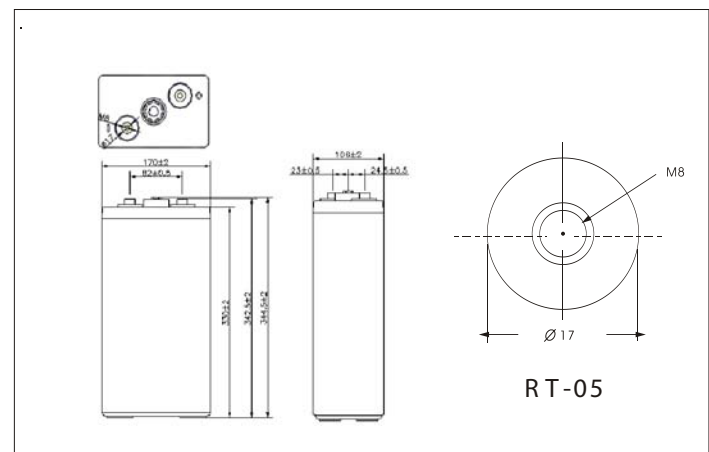
Nominal Voltage		2V
Nominal Capacity (10HR)		200AH
Dimension	Length	170 ±2mm (6.69 inch)
	Width	106 ±2mm (5.91 inch)
	Container Height	330 ±2mm (12.92 inch)
	Total Height (with cover)	345 ±2mm (13.58 inch)
Weight		Approx 13.0kg (28.67 lbs)
Standard Terminal		Threaded insert 8mm STUD

Discharge Characteristics @ 25 C (77 F)



Electrical Specification

Capacity(25°C/77°F)	
10hr:	200 Ah
3hr:	156.6 Ah
Charge Voltage(25°C/77°F)	
Float charge:	2.23V (-3mV/C)
Equalizing charge:	2.3-2.35(-3mV/C)
Self-discharge residual capacity:	
After 3 months:	~90%
After 6 months:	~82%
After 12 months:	~70%



Constant Current (amp) and Constant Power (Watt) Discharge Table ( 25 C / 77°F )

Time(m)	5	10	15	20	30	40	50	60	120	180	240	300	360	480	600	720	1200
Cut of V	W																
1.67	558.0	476.0	422.0	380.0	308.0	256.0	224.0	214.9	131.3	99.5	81.6	70.0	61.7	49.4	41.2	35.8	24.9
1.75	485.0	437.0	385.0	343.0	291.0	249.0	221.0	211.0	129.0	99.0	81.0	68.4	60.4	48.2	40.0	34.6	25.0
1.80	436.0	390.0	348.0	316.0	274.0	240.0	218.0	197.2	128.4	97.8	80.6	68.4	60.6	48.6	40.6	35.2	24.2
1.83	396.0	348.0	314.0	290.0	252.0	224.0	204.0	184.0	123.0	94.4	77.6	66.2	58.6	47.0	39.4	34.0	23.4
	A																
1.67	334.0	284.0	252.0	226.0	184.0	152.0	134.0	124.0	71.2	53.0	43.4	36.8	32.2	25.8	21.4	18.4	12.8
1.75	276.0	248.0	220.0	196.0	166.0	142.0	126.0	120.0	70.4	52.2	42.4	35.8	31.4	25.2	21.0	18.0	12.4
1.80	242.0	216.0	192.0	174.0	150.0	132.0	120.0	108.6	67.4	50.0	41.4	34.8	30.6	24.6	20.0	17.8	12.0
1.83	214.0	188.0	170.0	158.0	136.0	122.0	110.0	100.0	63.8	48.6	39.6	33.6	29.4	23.8	19.8	17.0	11.4