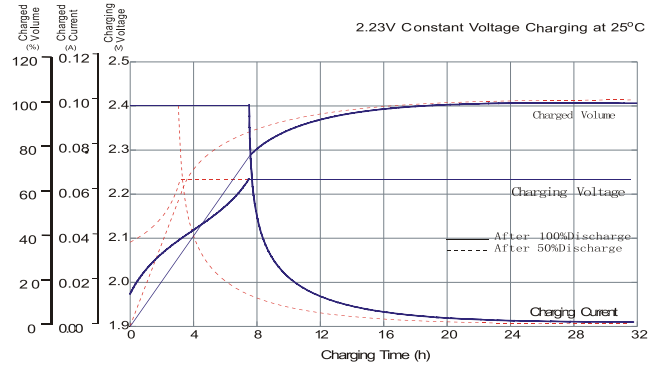


GFM1600 2V 1600Ah



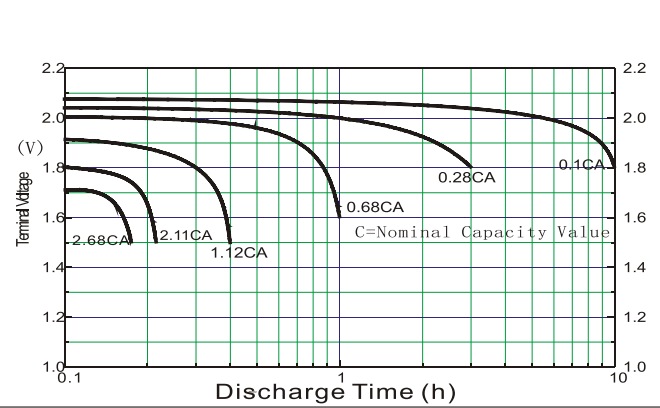
Charging Current vs Time



Physical Specification

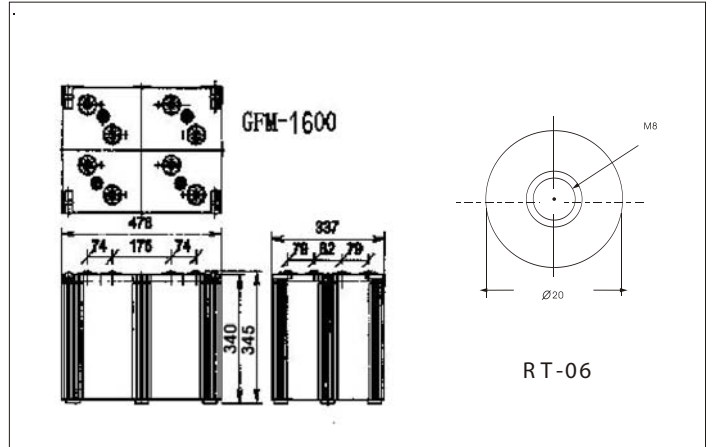
Nominal Voltage		2V	
Nominal Capacity (10HR)		1600AH	
Dimension	Length	476	2mm (18.75 inch)
	Width	337	2mm (13.28 inch)
	Container Height	330	2mm (13.00 inch)
	Total Height (with cover)	345	2mm (13.59 inch)
Weight		Approx 93.5kg (206.17lbs)	
Standard Terminal		Threaded insert 8mm STUD	

Discharge Characteristics @ 25 C (77 F)



Electrical Specification

Capacity (25°C / 77°F)	
10hr:	1600 Ah
3hr:	1229 Ah
Charge Voltage (25°C / 77°F)	
Float charge:	2.23V (-3mV/C)
Equalizing charge:	2.3-2.35V (-3mV/C)
Self-discharge residual capacity:	
After 3 months:	~90%
After 6 months:	~82%
After 12 months:	~70%



Constant Current (amp) and Constant Power (Watt) Discharge Table (25 C / 77°F)

Time (m)	5	10	15	20	30	40	50	60	120	180	240	300	360	480	600	720	1200
Cut off V	W																
1.67	4185.0	3712.8	3291.6	2964.0	2402.4	1996.8	1780.8	1717.2	1049.4	800.0	656.0	563.2	496.0	396.8	331.2	288.0	200.0
1.75	3645.0	3394.5	2991.5	2666.0	2263.0	1937.5	1742.7	1696.0	1040.0	800.0	656.0	555.2	491.2	393.6	328.0	284.8	196.8
1.80	3270.0	2925.0	2697.0	2449.0	2123.5	1860.0	1711.3	1548.0	1007.9	767.7	632.7	547.2	484.8	388.8	324.8	281.6	193.6
1.83	2970.0	2610.0	2386.4	2204.0	1953.0	1736.0	1581.0	1453.6	971.7	745.8	613.0	529.6	468.8	376.0	315.2	272.0	187.2
	A																
1.67	2488.3	2115.8	1915.2	1717.6	1426.0	1178.0	1051.9	973.4	558.9	424.0	347.2	294.4	257.6	206.4	171.2	147.2	102.4
1.75	2070.0	1860.0	1694.0	1509.2	1278.2	1093.4	970.2	942.0	552.6	409.8	339.2	286.4	251.2	201.6	168.0	144.0	99.2
1.80	1802.9	1609.2	1478.4	1339.8	1155.0	1029.6	936.0	857.9	532.5	395.0	327.1	278.4	244.8	196.8	160.0	142.4	96.0
1.83	1583.6	1391.2	1309.0	1216.6	1060.8	951.6	858.0	790.0	504.0	383.9	312.8	265.4	235.2	190.4	158.4	136.0	91.2